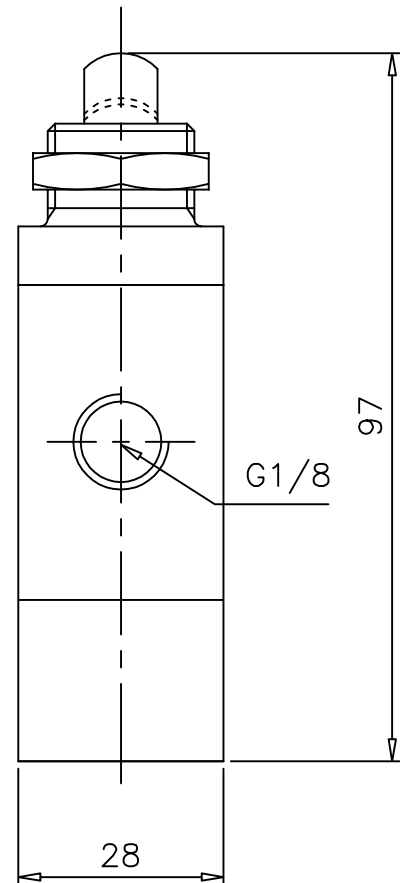
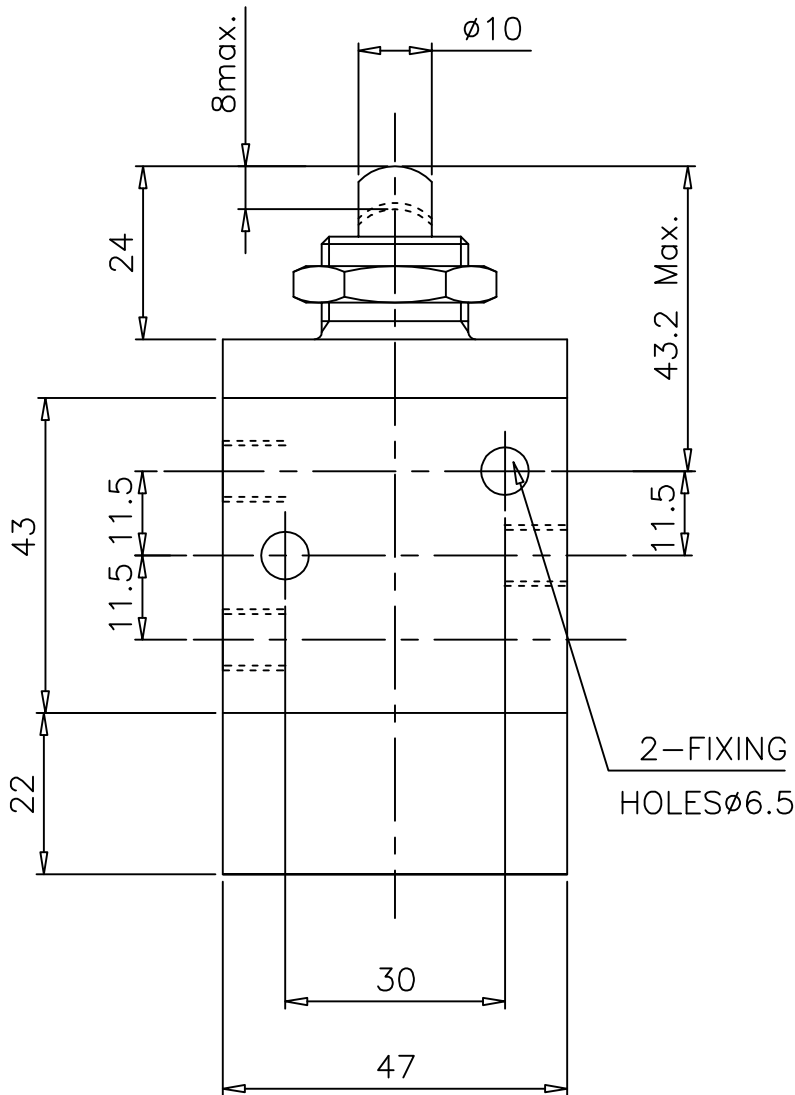
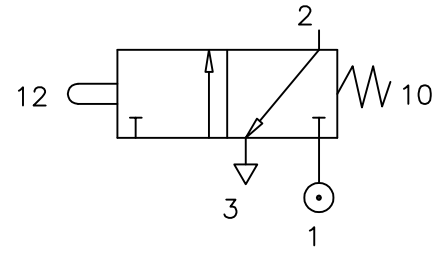


Plunger actuated, Spring return

Z03 0400 02

Type : 3/2 Spool Valve
 Mechanically actuated
 Port Size : G 1/8
 Operating Pressure : 2-10 bar
 Operating Temperature : +5°C to +70°C
 Operating Force : 53 N



NOTE:-

This plunger on this valve is designed for axial loading only.

ALL DIMENSIONS ARE IN mm

NUCON INDUSTRIES PRIVATE LIMITED
 88 , C.I.E , BALANAGAR ,
 HYDERABAD - 500 037

DRAWN	SREENIVAS.M	11.05.2005
CHECKED		
APPROVED		