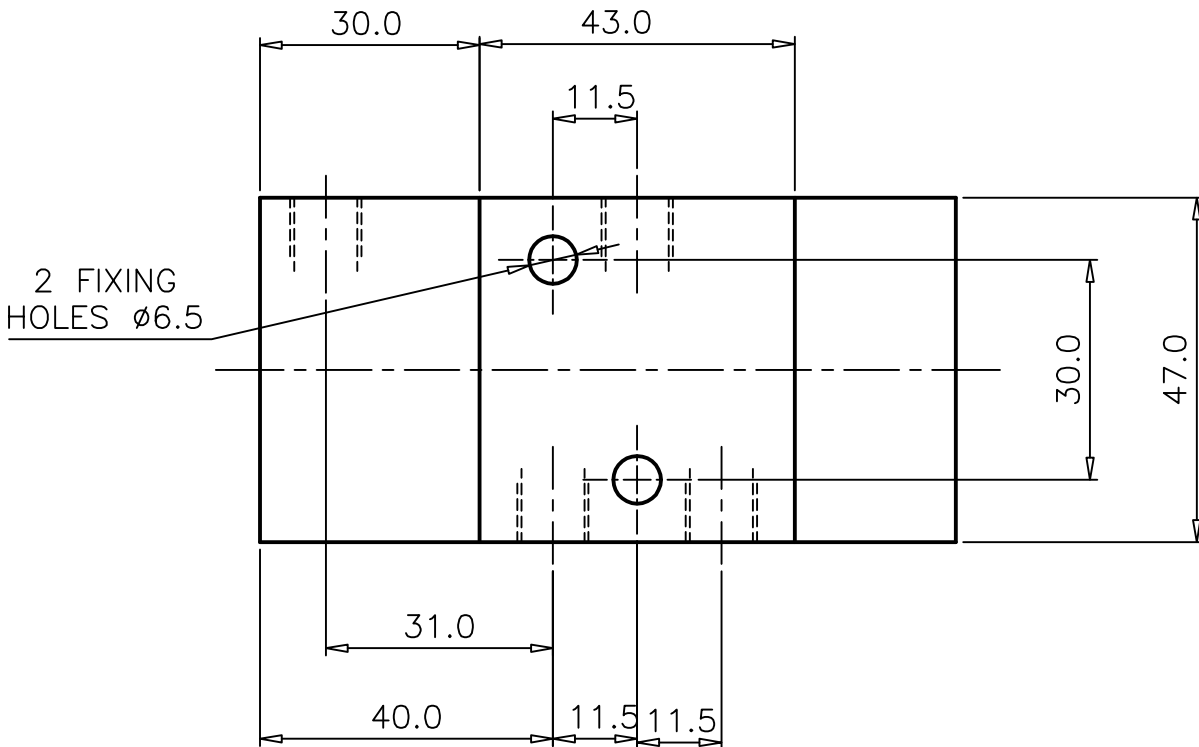
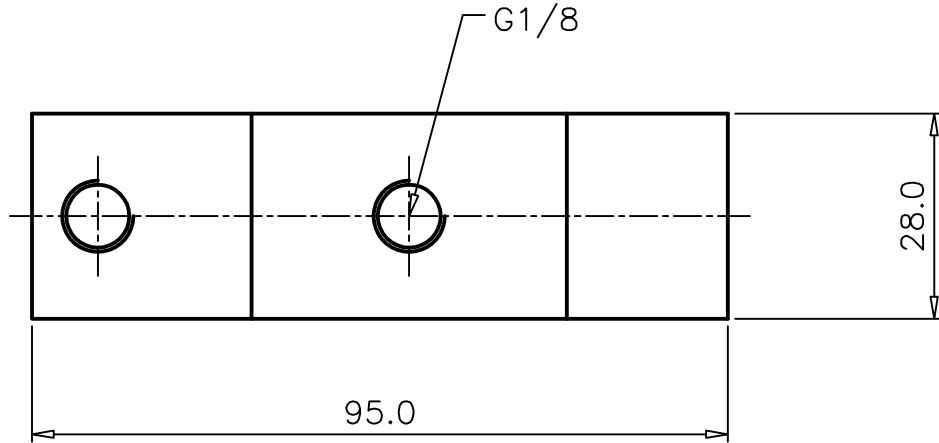
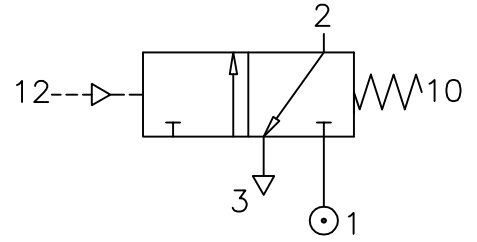


# PRESSURE ACTUATED, SPRING RETURN

## Z03 0401 02

Type : 3/2 Spool Valve  
 Pressure Actuated  
 Port Size : G 1/8  
 Operating Pressure : 2-10 bar  
 Operating Temperature : +5°C to +70°C  
 Pilot pressure : 4-10 bar



ALL DIMENSIONS ARE IN mm

NUCON ZANDER PRIVATE LIMITED  
 88 , C.I.E , BALANAGAR ,  
 HYDERABAD - 500 037

DRAWN	SREENIVAS.M	11.05.2005
CHECKED		
APPROVED		