

# Button operated, Pressure reset

# Z03 0408 02

Type : 3/2 Spool Valve  
 Manually operated

Port Size : G 1/8

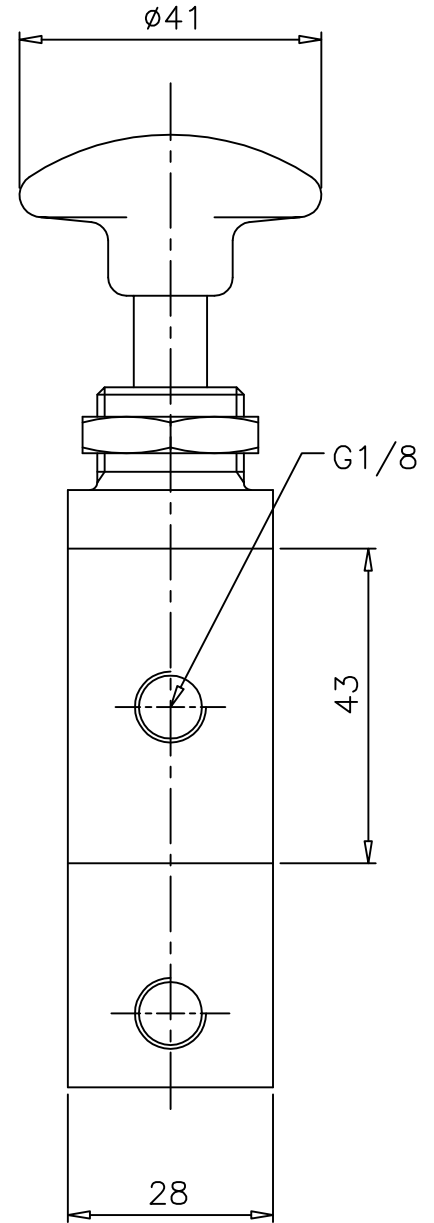
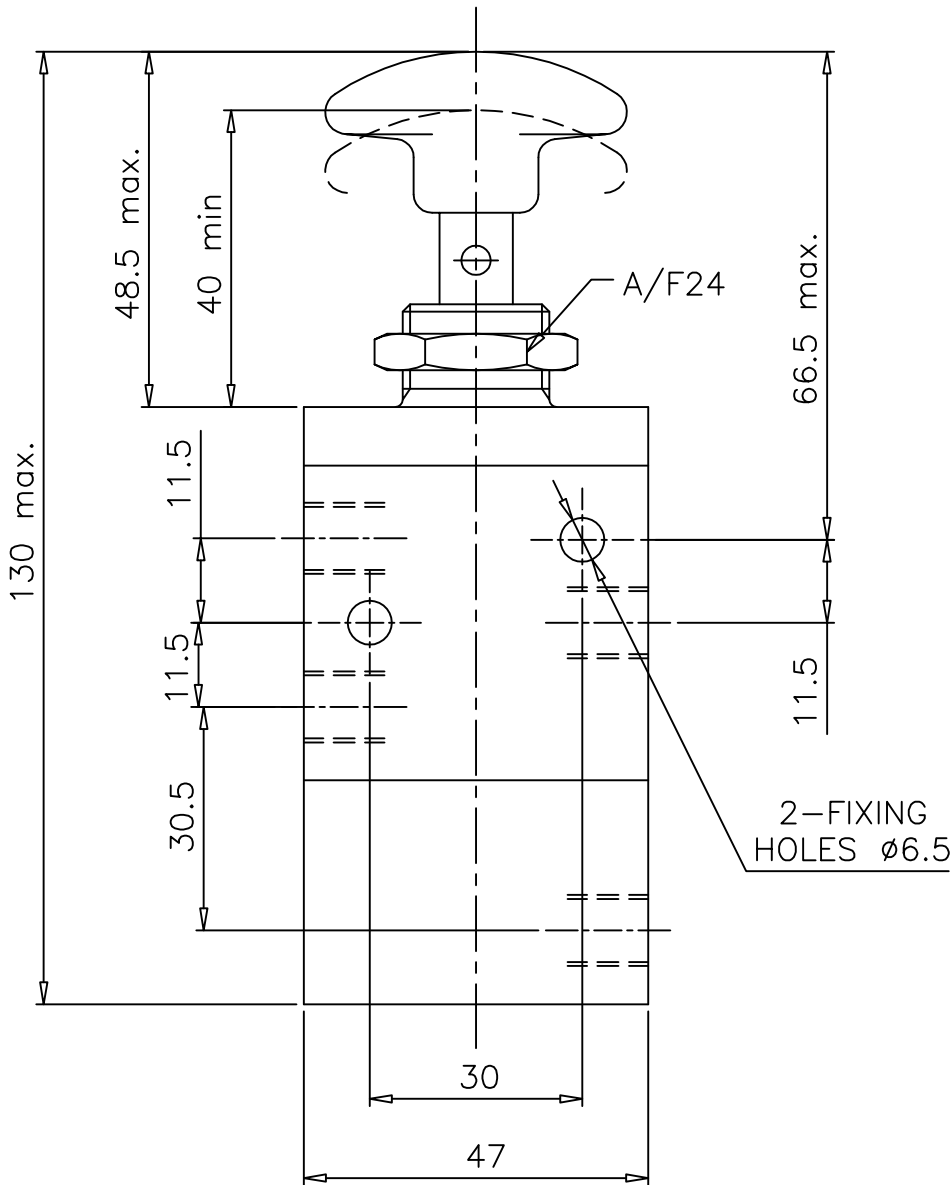
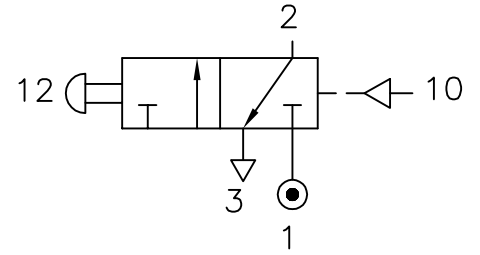
Operating Pressure : 2-10 bar

Operating Temperature : +5°C to +70°C

Operating Force : 13 N

Reset Pressure : 2 bar min.

Pilot Pressure : 0 bar



**NOTE:-**

- a) This valve is suitable for panel mounting and includes a nut and washer.
- b) Panel hole Ø 21mm.
- c) Panel thickness : 8mm (max.)

ALL DIMENSIONS ARE IN mm

DRAWN	SREENIVAS.M	11.05.2005
CHECKED		
APPROVED		