

Roller actuated, Pressure reset

Z03 0409 02

Type : 3/2 Spool Valve
 Mechanically actuated

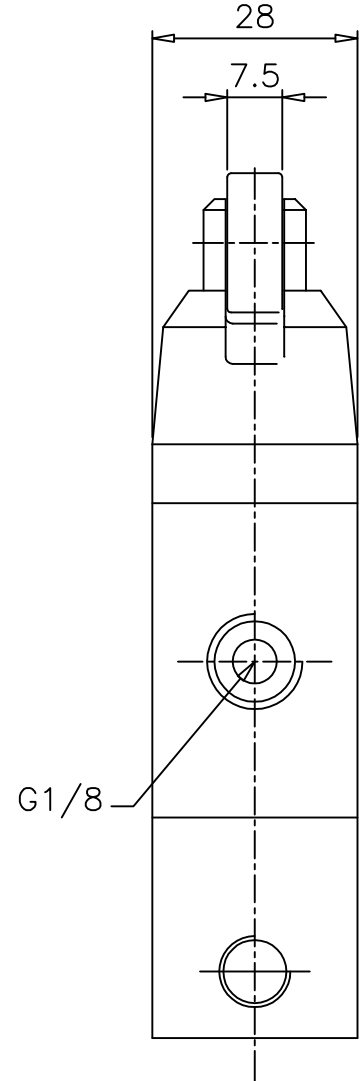
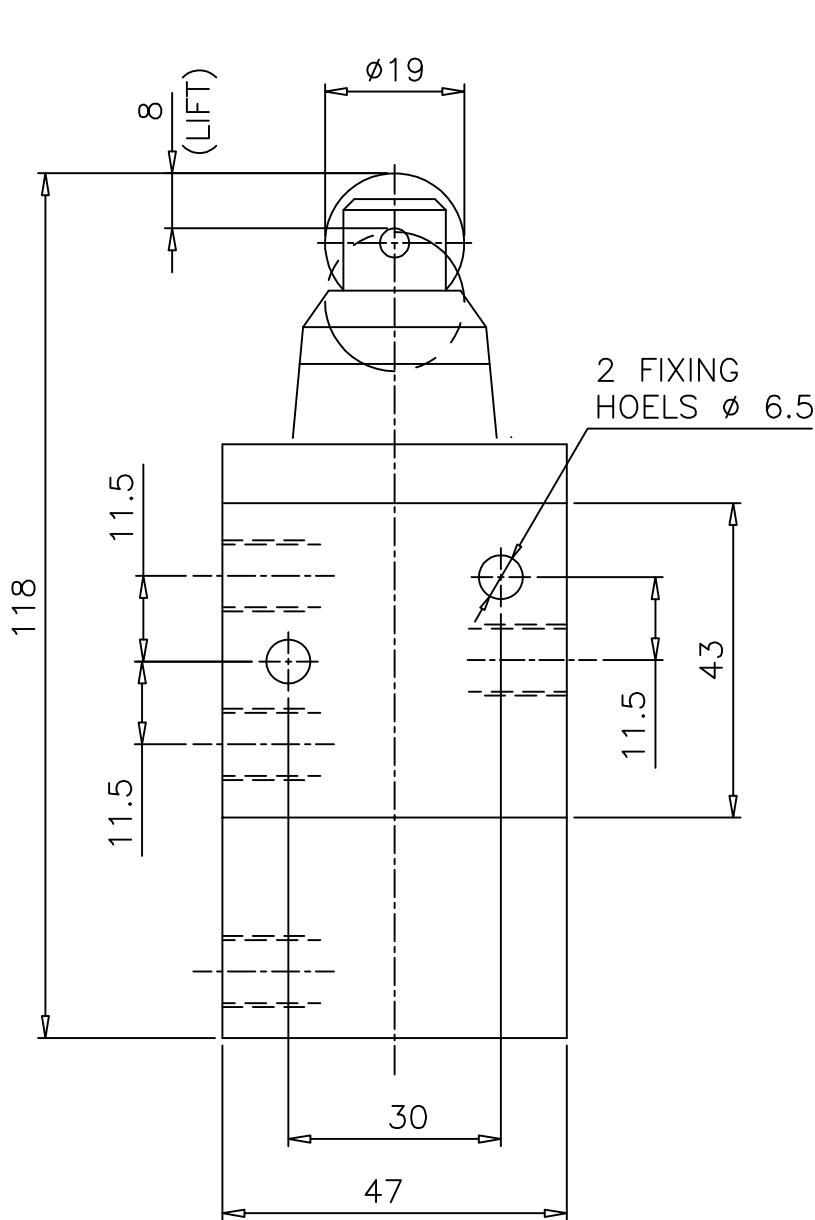
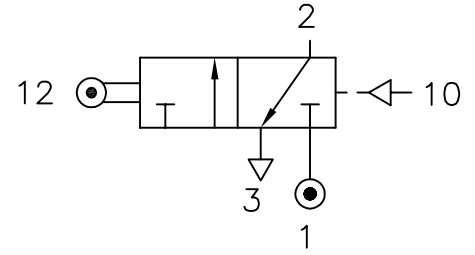
Port Size : G 1/8

Operating Pressure : 2-10 bar

Operating Temperature : +5°C to +70°C

Operating Force : 13 N

Reset Pressure : 2 bar min.



ALL DIMENSIONS ARE IN mm

NUCON INDUSTRIES PRIVATE LIMITED
 88 , C.I.E , BALANAGAR ,
 HYDERABAD - 500 037

DRAWN	SREENIVAS.M	16.04.2005
CHECKED		
APPROVED		