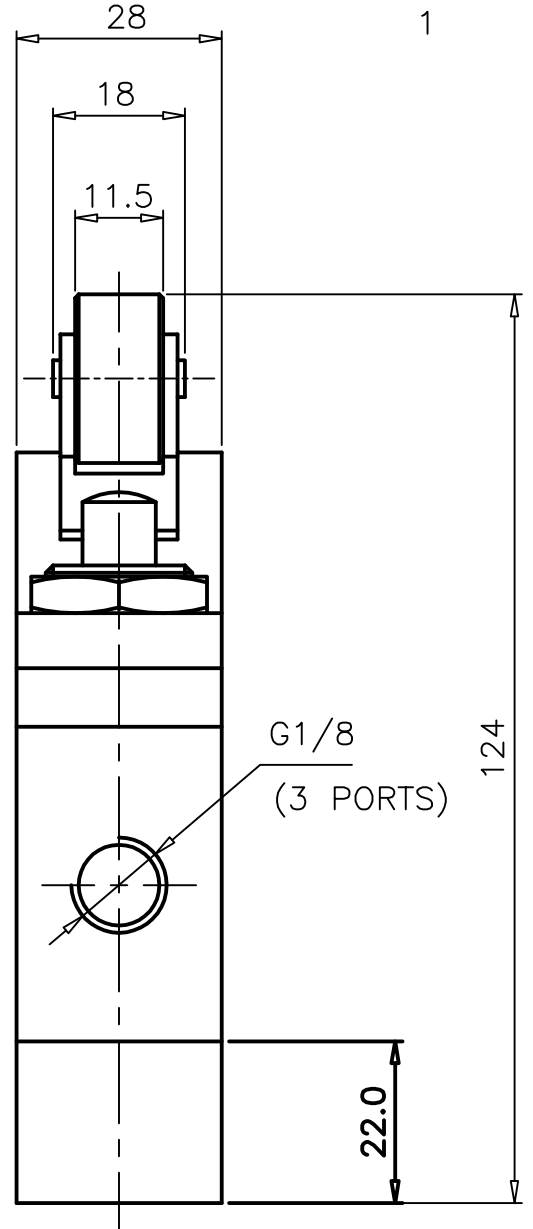
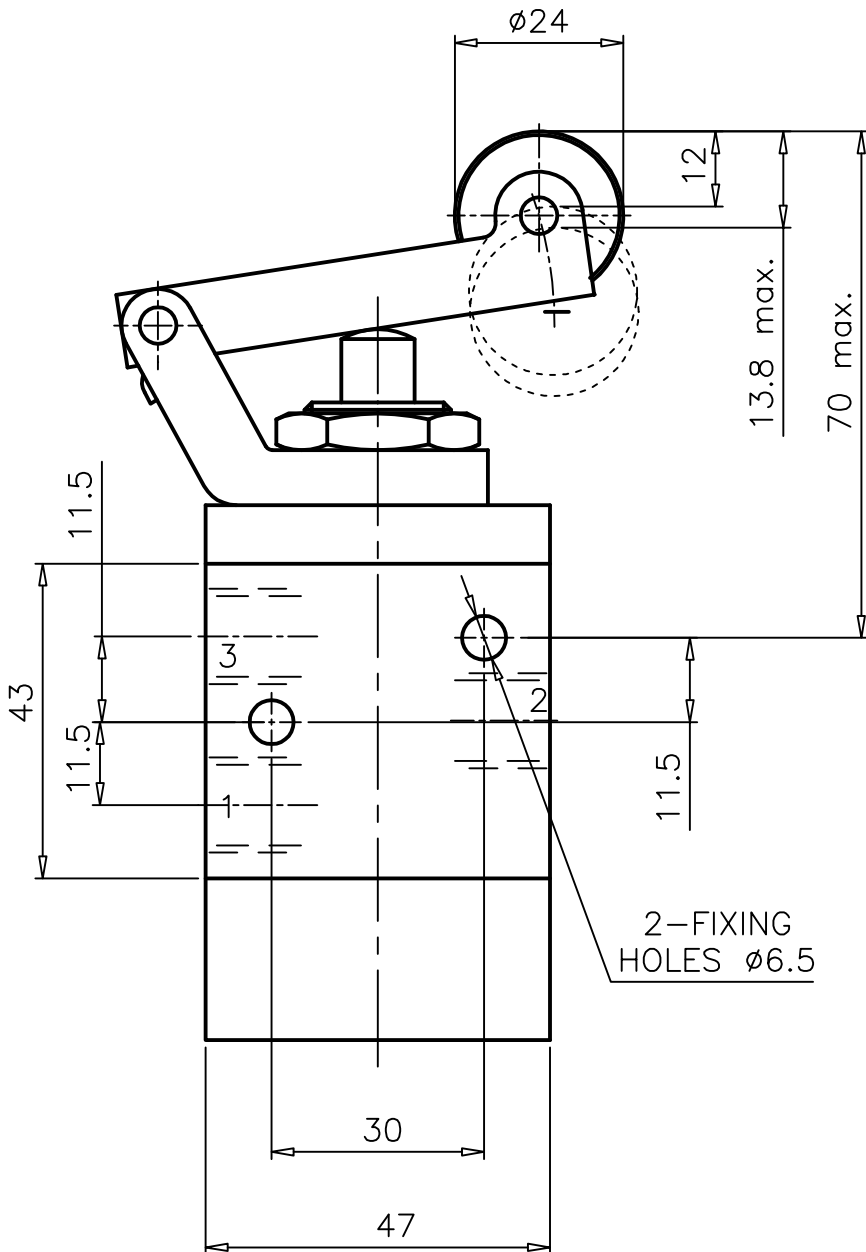
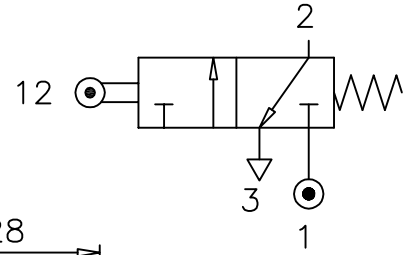


Roller Lever actuated, Spring Return

Z03 0411 02

Type : 3/2 Spool Valve
 Mechanically actuated
 Port Size : G 1/8
 Operating Pressure : 0-10 bar*
 Operating Temperature : +5°C to +70°C



* CONSULT OUR TECHNICAL SERVICE FOR LOW PRESSURE AND VACUUM

ALL DIMENSIONS ARE IN mm

NUCON INDUSTRIES PRIVATE LIMITED
 88 , C.I.E , BALANAGAR ,
 HYDERABAD - 500 037

DRAWN	SREENIVAS.M	11.05.2005
CHECKED		
APPROVED		