

Roller lever actuated, Pressure reset

Z03 0424 02

Type : 3/2 Spool Valve
Mechanically actuated

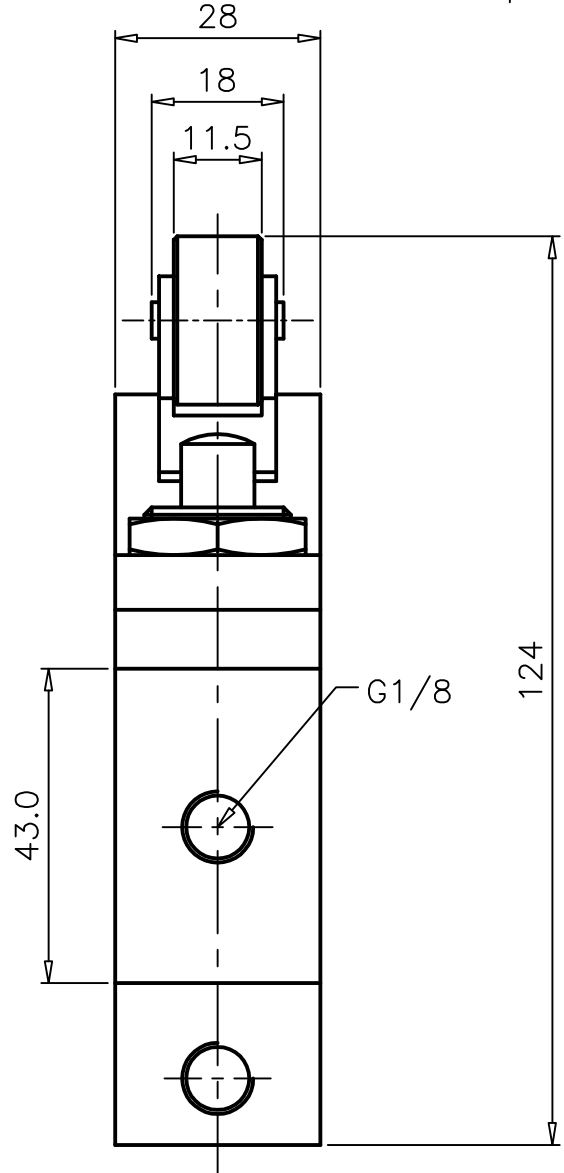
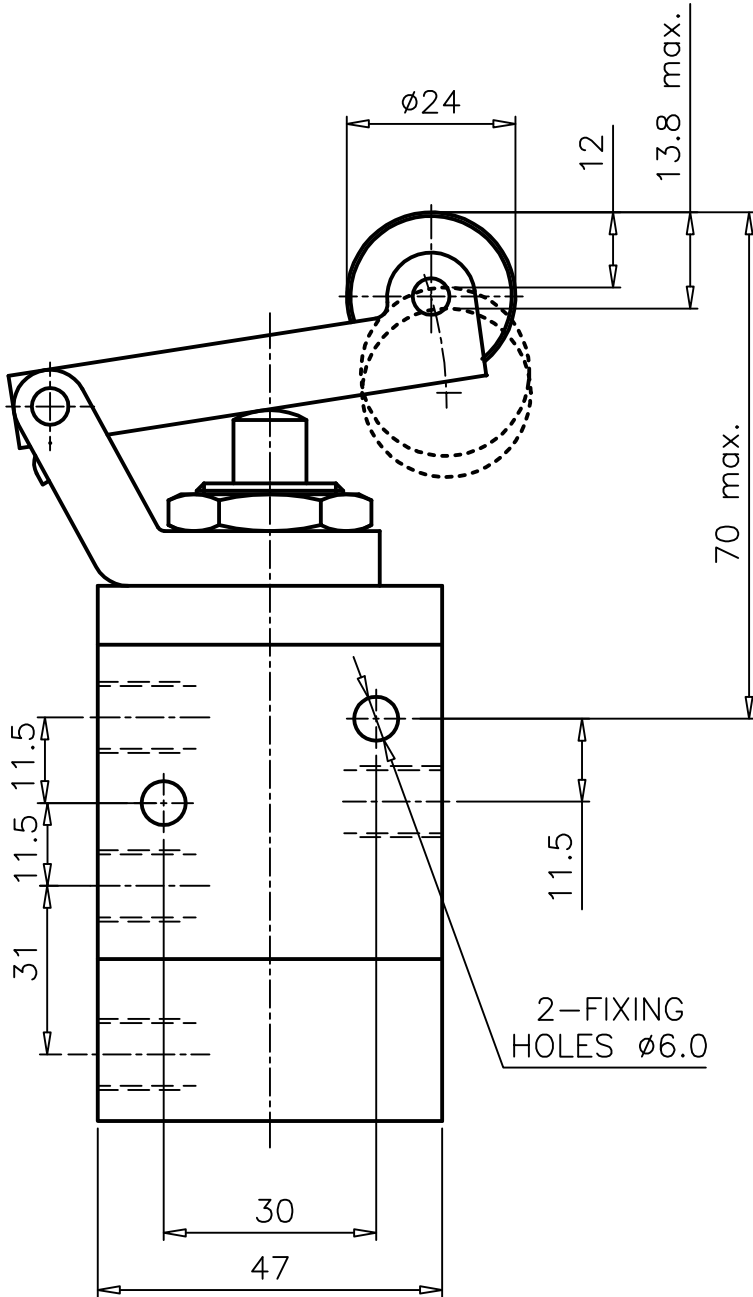
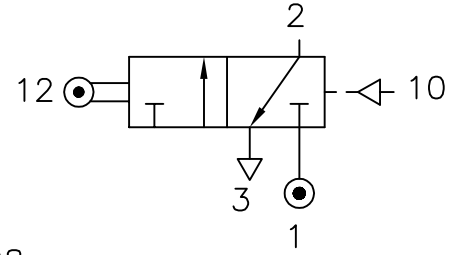
Port Size : G 1/8

Operating Pressure : 2-10 bar

Operating Temperature : +5°C to +70°C

Operating Force : 9 N

Reset Pressure : 2 bar min.



ALL DIMENSIONS ARE IN mm

NUCON INDUSTRIES PRIVATE LIMITED
88 , C.I.E , BALANAGAR ,
HYDERABAD - 500 037

DRAWN	SREENIVAS.M	11.05.2005
CHECKED		
APPROVED		