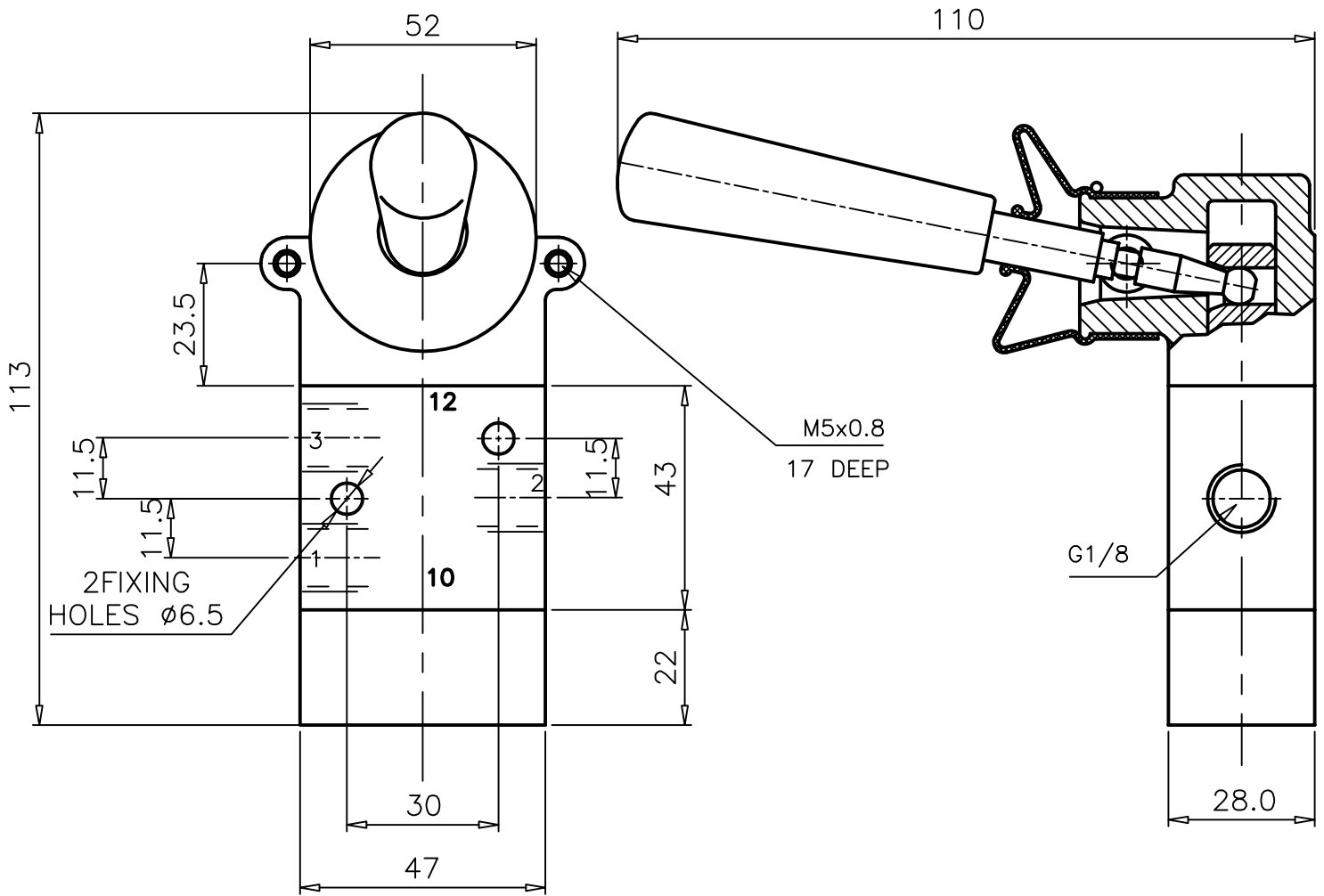
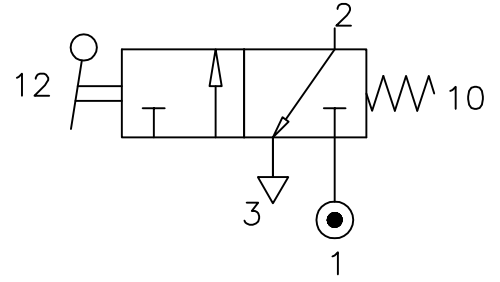


# LEVER OPERATED , SPRING RETURN

## Z03 0438 02

Type : 3/2 Spool Valve  
 Manually operated  
 Port Size : G 1/8  
 Operating Pressure : 2-10 bar\*  
 Operating Temperature : +5°C to +70°C



\* CONSULT OUR TECHNICAL SERVICE FOR LOW PRESSURE AND VACUUM

ALL DIMENSIONS ARE IN mm

NUCON ZANDER PRIVATE LIMITED  
 88 , C.I.E , BALANAGAR ,  
 HYDERABAD - 500 037

DRAWN	SREENIVAS.M	11.05.2005
CHECKED		
APPROVED		