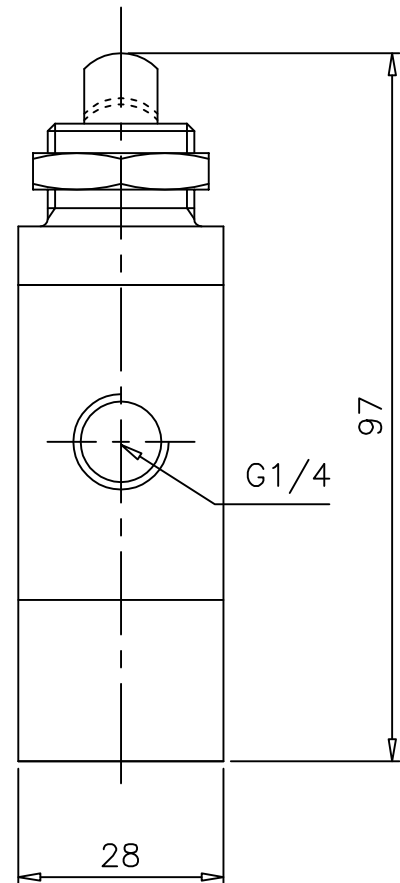
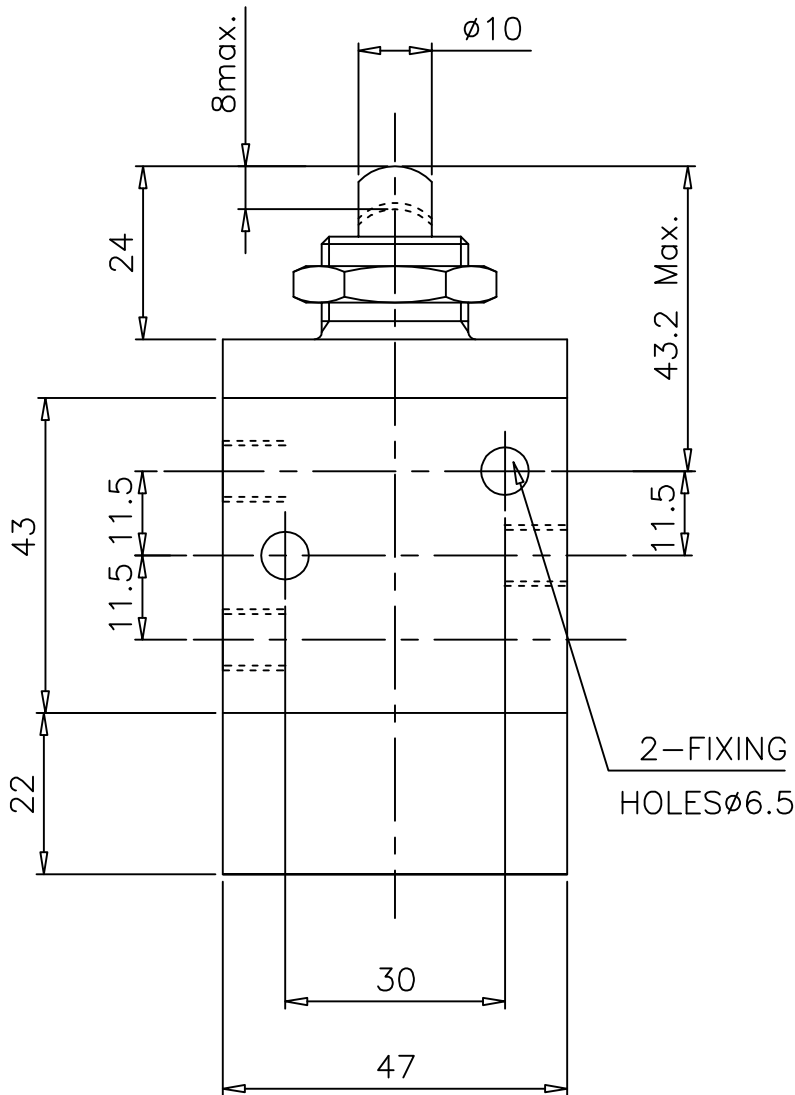
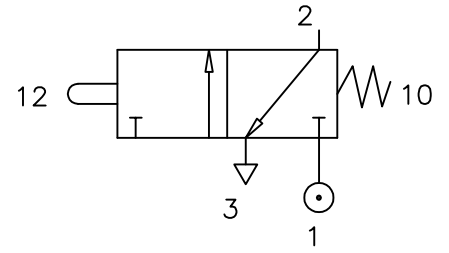


# Plunger actuated, Spring return

# Z03 0600 02

Type : 3/2 Spool Valve  
 Mechanically actuated  
 Port Size : G 1/4  
 Operating Pressure : 2-10 bar  
 Operating Temperature : +5°C to +70°C  
 Operating Force : 53 N



**NOTE:-**

This plunger on this valve is designed for axial loading only.

ALL DIMENSIONS ARE IN mm

NUCON INDUSTRIES PRIVATE LIMITED  
 88 , C.I.E , BALANAGAR ,  
 HYDERABAD - 500 037

DRAWN	SREENIVAS.M	16.04.2005
CHECKED		
APPROVED		