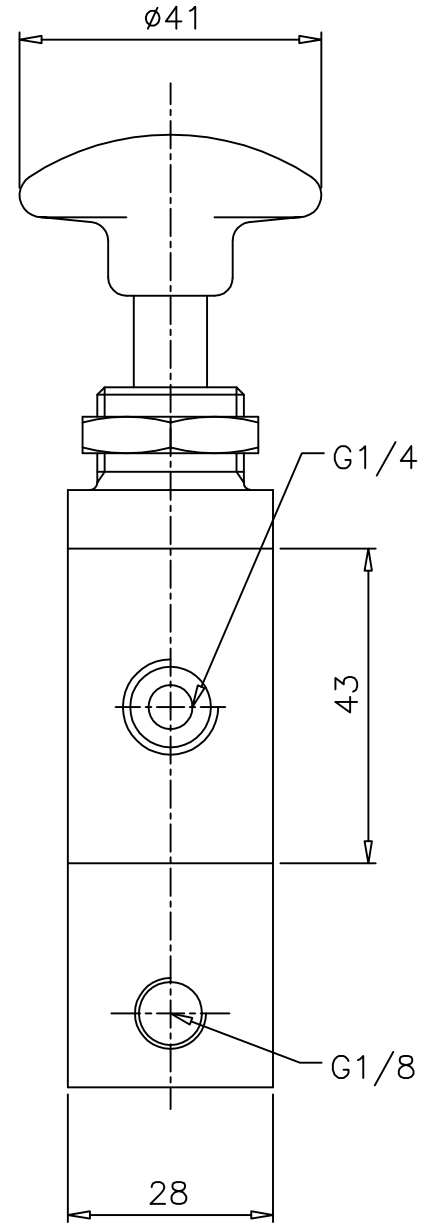
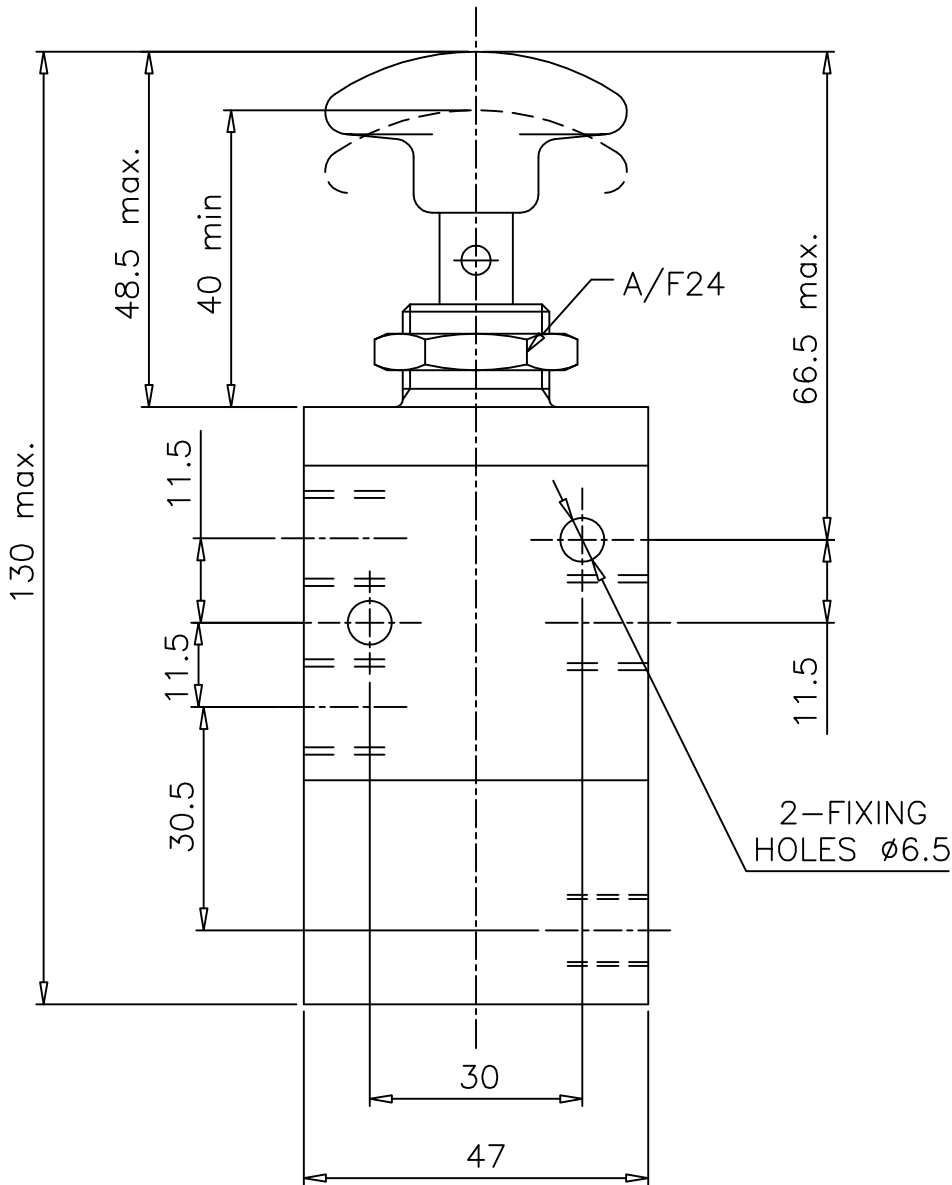
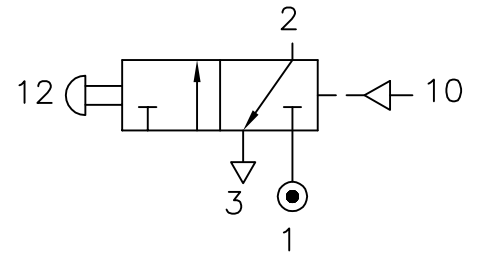


# Button operated, Pressure reset

# Z03 0608 02

Type : 3/2 Spool Valve  
 Manually operated  
 Port Size : G 1/4  
 Operating Pressure : 2-10 bar  
 Operating Temperature : +5°C to +70°C  
 Operating Force : 13 N  
 Reset Pressure : 2 bar min.  
 Pilot Pressure : 0 bar



**NOTE:-**

- a) This valve is suitable for panel mounting and includes a nut and washer.
- b) Panel hole  $\varnothing$  21mm.
- c) Panel thickness : 8mm (max.)

ALL DIMENSIONS ARE IN mm

DRAWN	SREENIVAS.M	16.04.2005
CHECKED		
APPROVED		