

SOLENOID PILOT SET-RESET

Face Mounted Miniature Solenoid

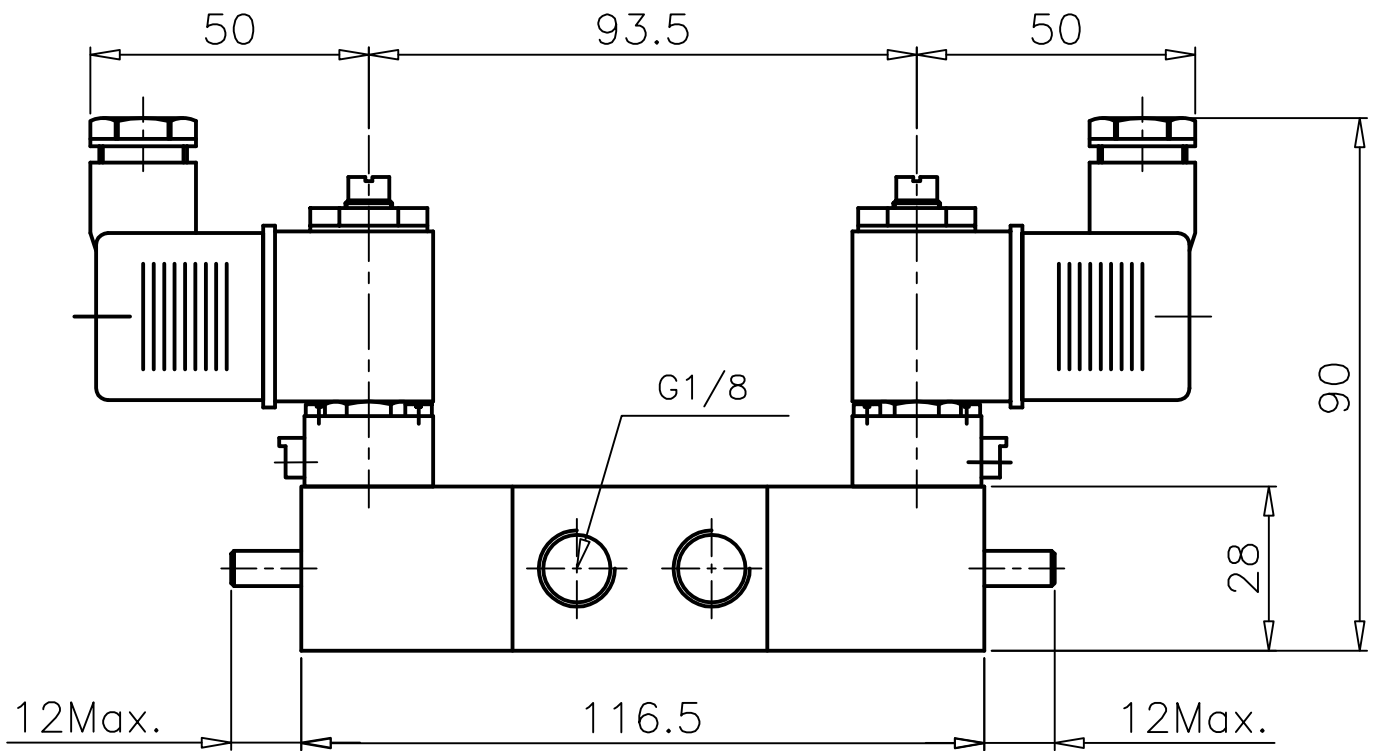
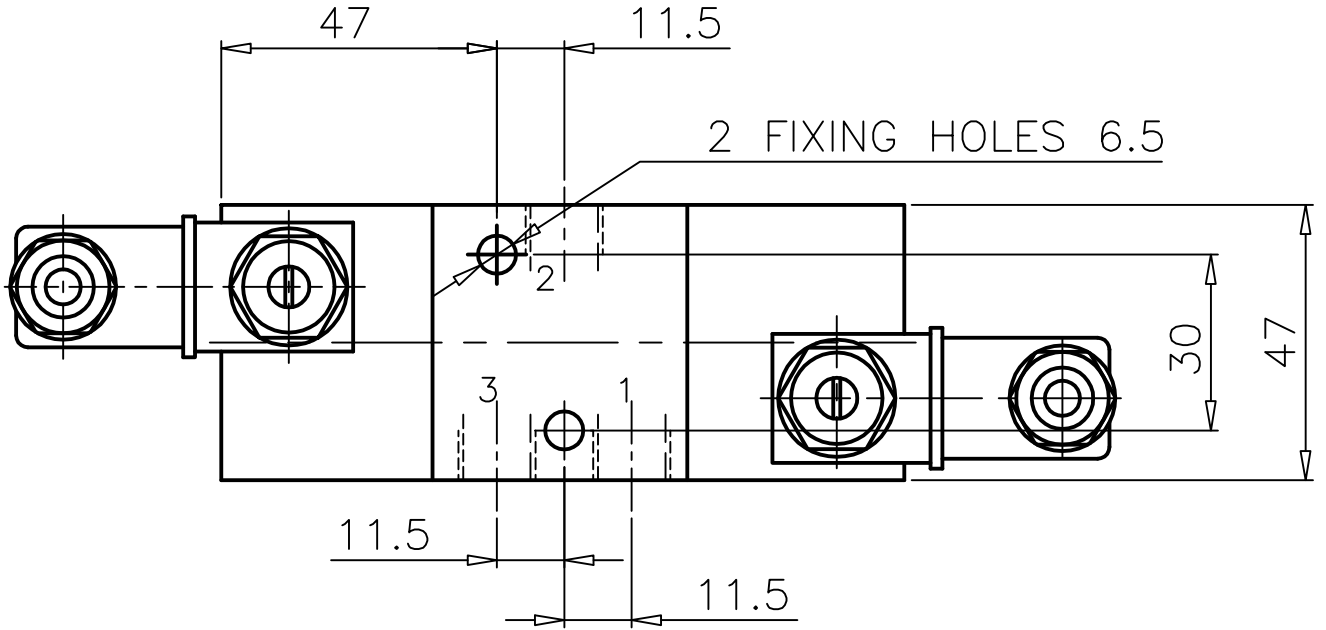
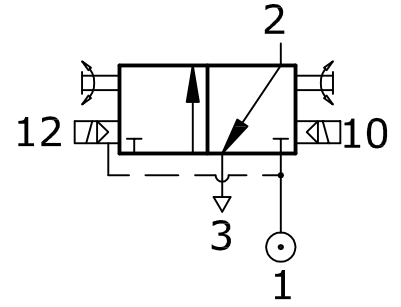
Z14 1131 00 000

Type : 3/2 Normally closed
 Integral pilot supply

Port Size : G 1/8

Operating Pressure : .0-10 bar*

Operating Temperature : +5°C to +70°C



* CONSULT OUR TECHNICAL SERVICE FOR LOW PRESSURE AND VACUUM

ALL DIMENSIONS ARE IN mm

NUCON INDUSTRIES PRIVATE LIMITED
 88 , C.I.E , BALANAGAR ,
 HYDERABAD - 500 037

DRAWN	SREENIVAS.M	11.05.2005
CHECKED		
APPROVED		