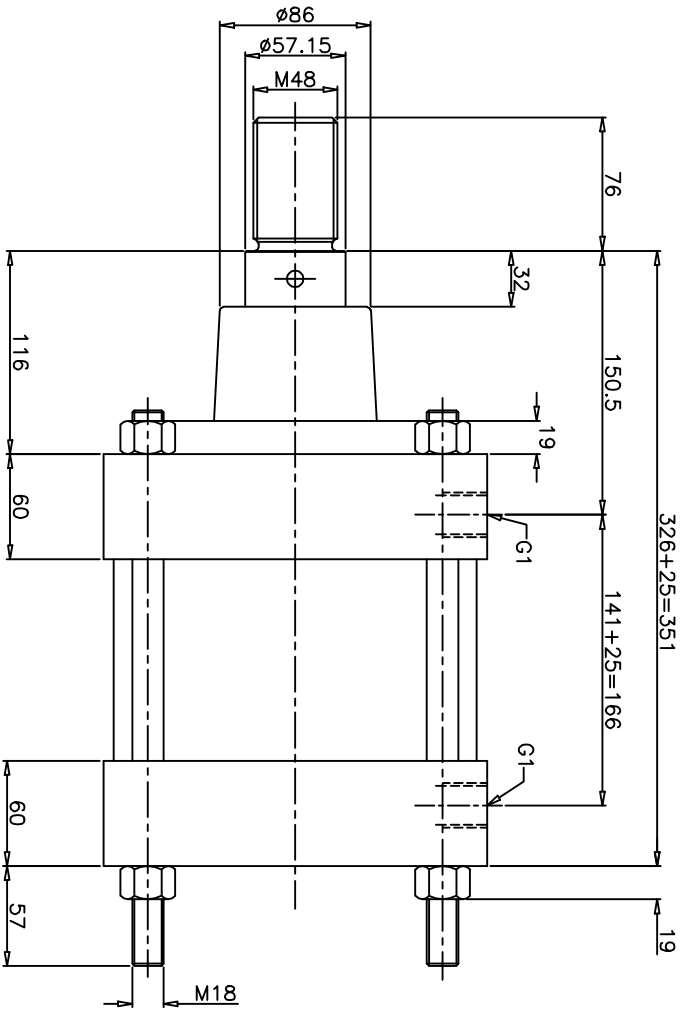
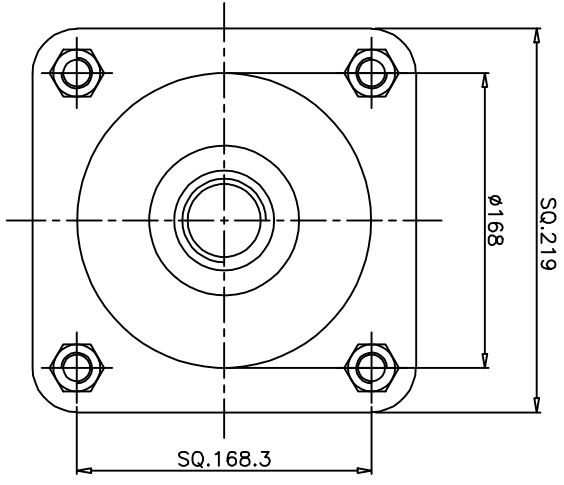


REVISIONS

SCHEDULES:

ALL DIMENSIONS ARE IN mm  
DO NOT SCALE THE DRAWING

DRG.No. ZM-1081/25



### TECHNICAL DATA

- 1. CYLINDER TYPE : DOUBLE ACTING HEAVY DUTY CYLINDER
- 2. BORE DIA : 8" (203.2mm)
- 3. PISTON ROD DIA : 2.25 (57.15mm)
- 4. STROKE : 25
- 5. OPERATING PRESSURE : 2 to 17 bar
- 6. OPERATING TEMP.MAX. : + 80°C

### MATERIAL OF CONSTRUCTION

- 1. PISTON & END COVERS : CAST IRON
- 2. BARREL : CARBON STEEL WITH HARD CHROME PLATED (ID)
- 3. PISTON ROD : EN8 WITH HARD CHROME PLATED
- 4. O-RING & SEALS : NITRILE RUBBER

NUCON INDUSTRIES PRIVATE LIMITED

ASSEMBLY:		DRAWN: KVM/ 28.11.2008	
8" BORE 25mm STROKE HEAVY DUTY CYLINDER		CHECKED: [ ]	
SCALE: 1:2 TITLE: DATA SHEET		APPROVED: [ ]	
[ ]		DRG.No. ZM/1081/25	
[ ]		SHEET [ ] OF [ ]	