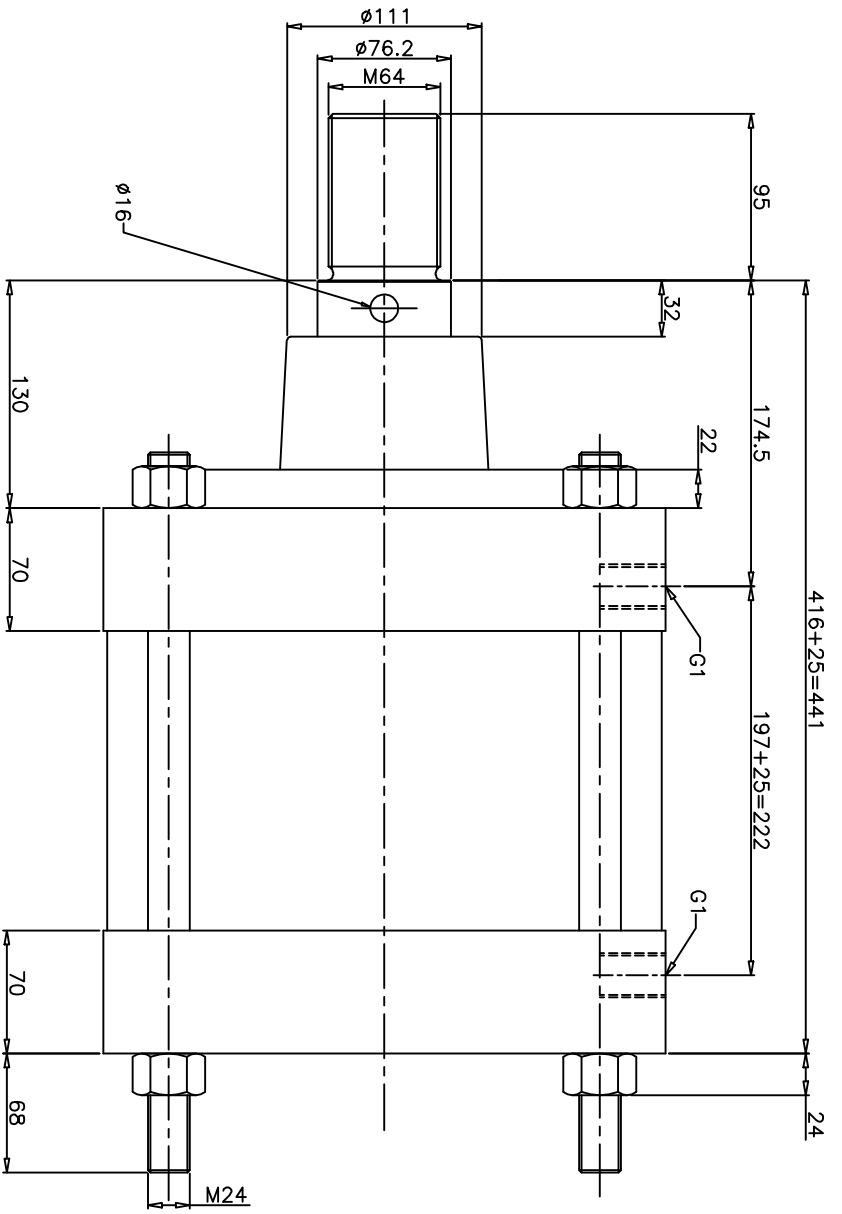
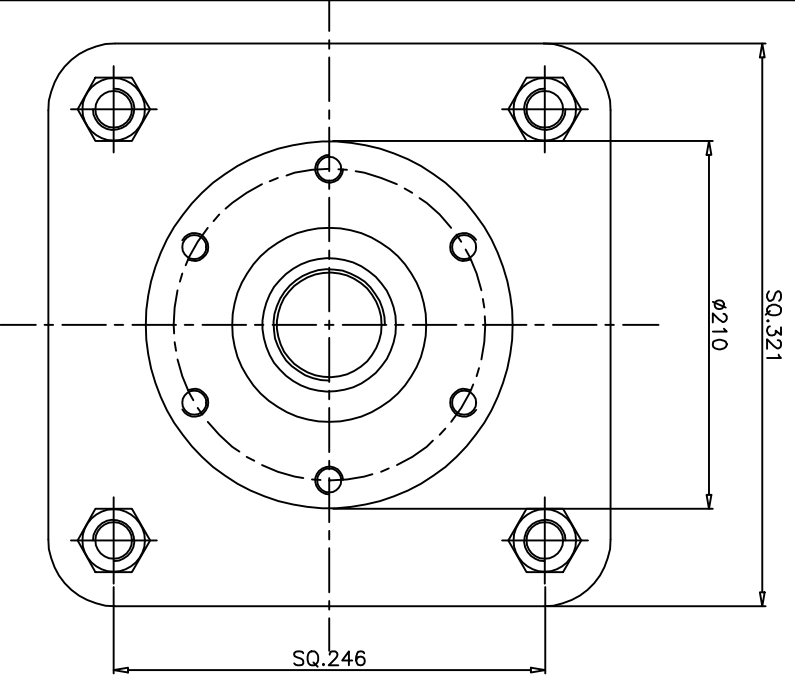


REVISIONS

SCHEDULES:

ALL DIMENSIONS ARE IN mm
DO NOT SCALE THE DRAWING

DRG.No.
ZM/1121/25



TECHNICAL DATA

- 1. CYLINDER TYPE : DOUBLE ACTING HEAVY DUTY CYLINDER
- 2. BORE DIA : 12" (304.8mm)
- 3. PISTON ROD DIA : 3" (76.2mm)
- 4. STROKE : 25
- 5. OPERATING PRESSURE : 2 to 13.5 bar
- 6. OPERATING TEMP.MAX. : + 80°C

MATERIAL OF CONSTRUCTION

- 1. PISTON & END COVERS : CAST IRON
- 2. BARREL : CARBON STEEL WITH HARD CHROME PLATED (1D)
- 3. PISTON ROD : EN8 WITH HARD CHROME PLATED
- 4. O-RING & SEALS : NITRILE RUBBER

NUCON INDUSTRIES PRIVATE LIMITED

ASSEMBLY:	12" BORE 25mm STROKE HEAVY DUTY CYLINDER
SCALE: 1:2	TITLE: DATA SHEET
DRG.No.	ZM/1121/25
DRG.No.	ZM/1121/25
DRG.No.	ZM/1121/25

