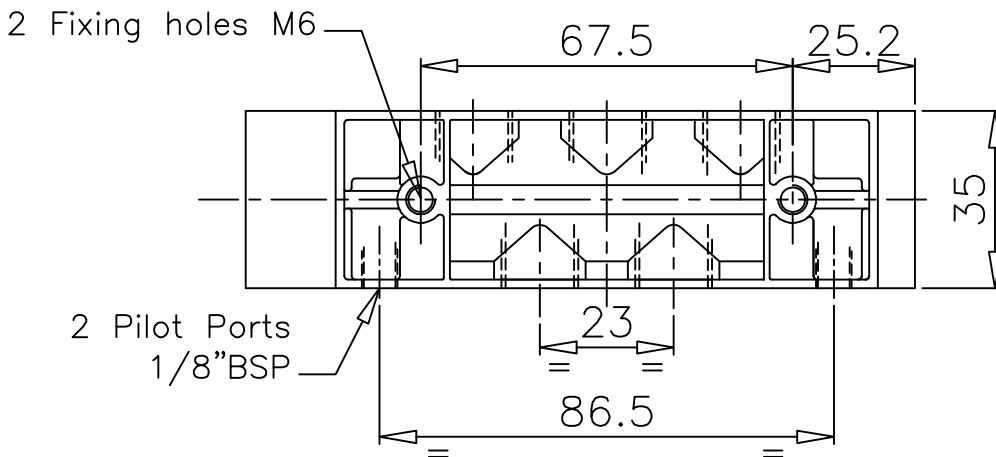
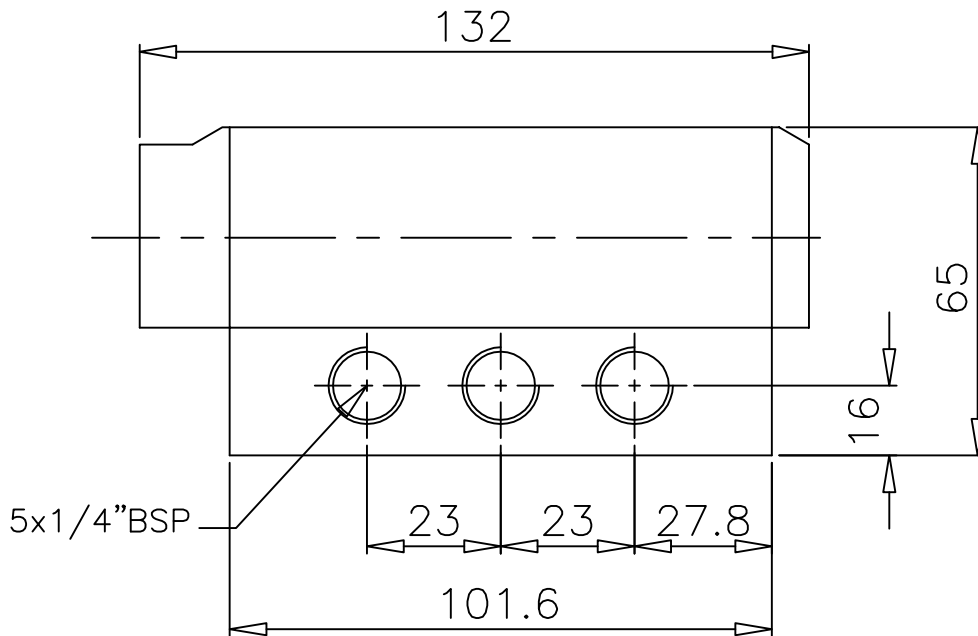
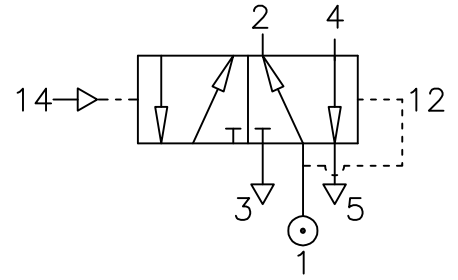


Pressure Actuated, Air Return

ZM/1702/2

Type : 5/2
 Port Size : G1/4
 Operating Pressure : 2 - 10 bar
 Operating Temperature : 0°C to +80°C



ALL DIMENSIONS ARE IN mm