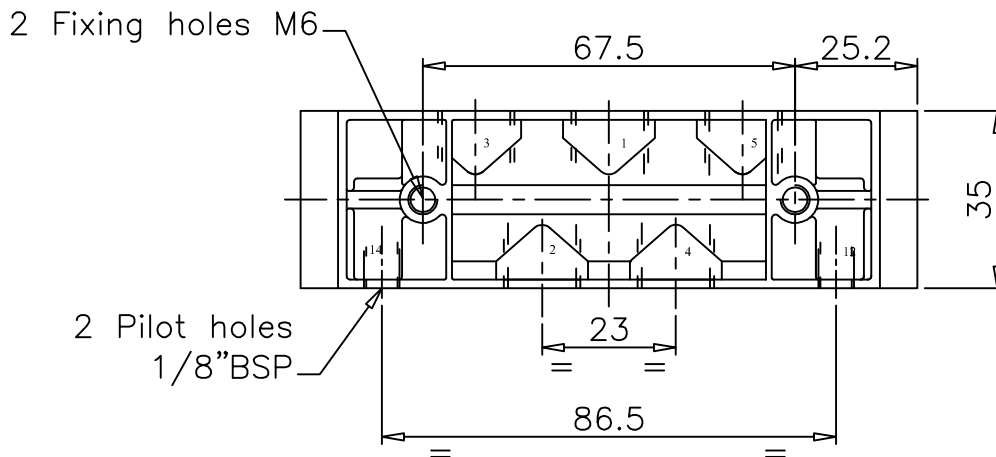
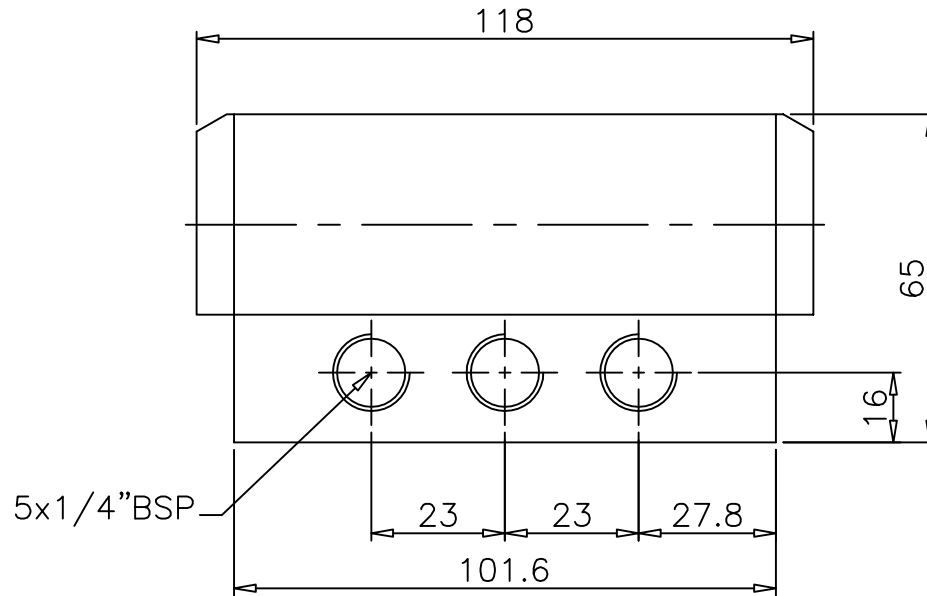
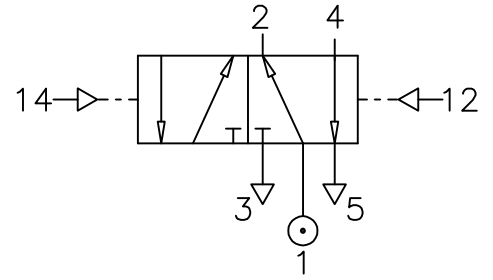


Pressure Set - Reset

ZM/1702/3

Type : 5/2
 Port Size : G1/4
 Operating Pressure : 2-10 bar
 Operating Temperature : +5°C to +80°C



ALL DIMENSIONS ARE IN mm