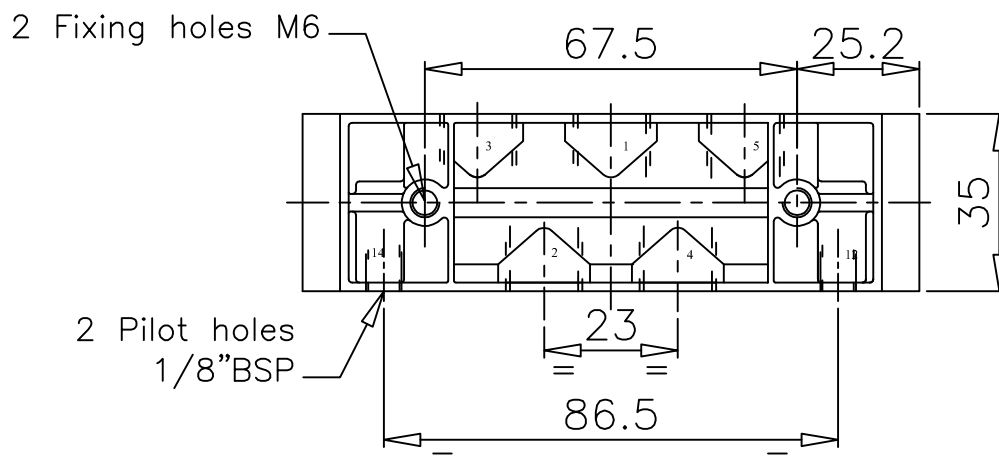
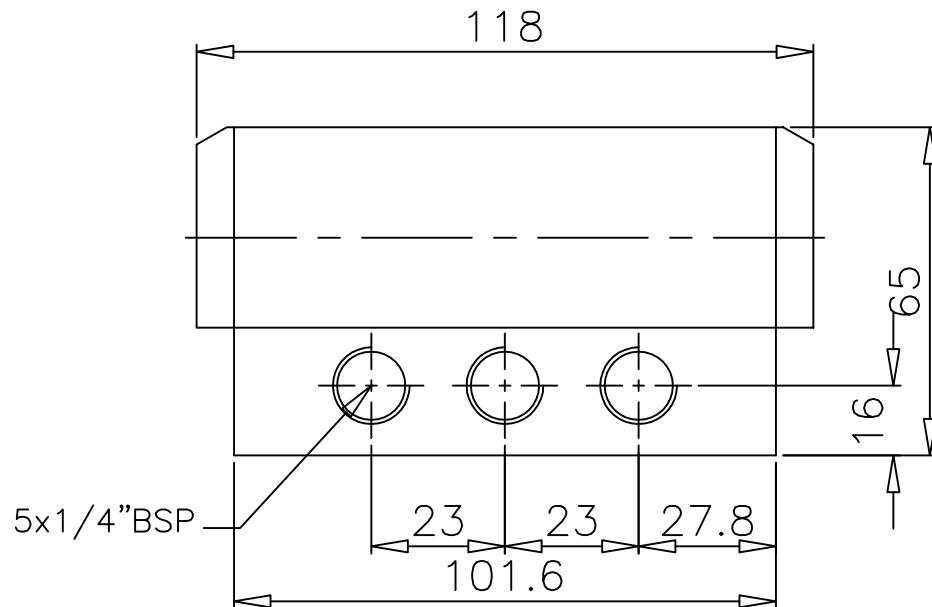
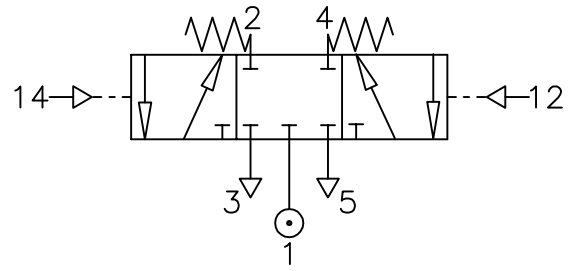


# Spring Centralized, Pressure Actuated Fully sealed mid-position

## ZM/1702/63

Type : 5/3  
 Port Size : G1/4  
 Operating Pressure : 2-10 bar  
 Operating Temperature : +5°C to +80°C



ALL DIMENSIONS ARE IN mm