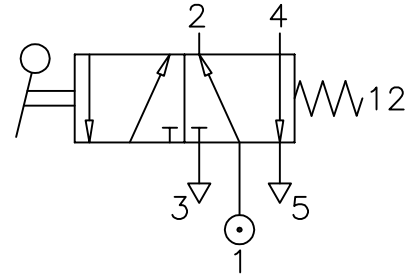


Lever Operated, Spring Return

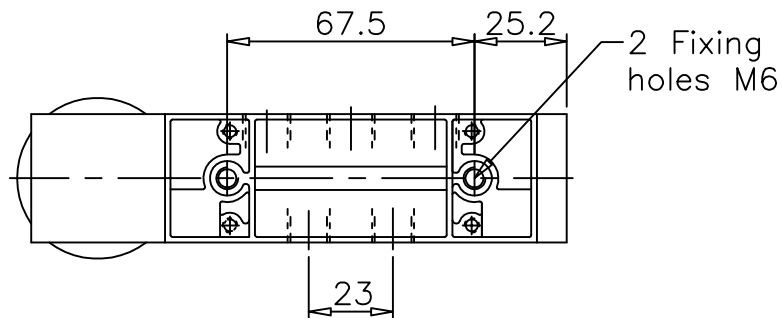
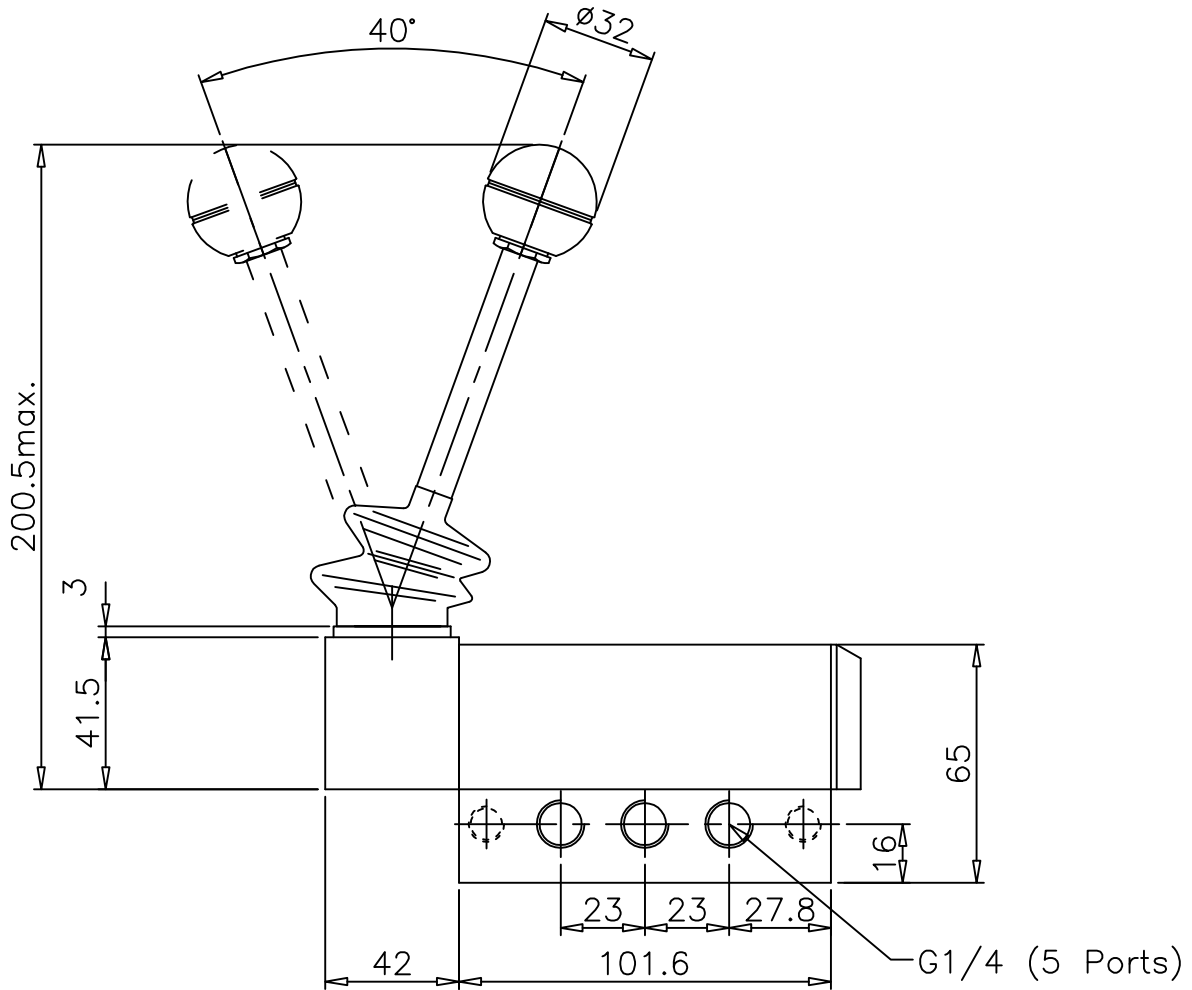
ZM/1702/86

Type : 5/2
 Port Size : G1/4
 Operating Pressure : 2 - 10 bar
 Operating Temperature : 0°C to +80°C



MATERIAL OF CONSTRUCTION

Body : Aluminium
 Seals : Nitrile



ALL DIMENSIONS ARE IN mm