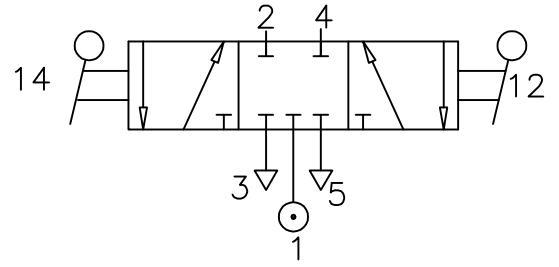


# Three Position Lever Operated Fully sealed mid - position

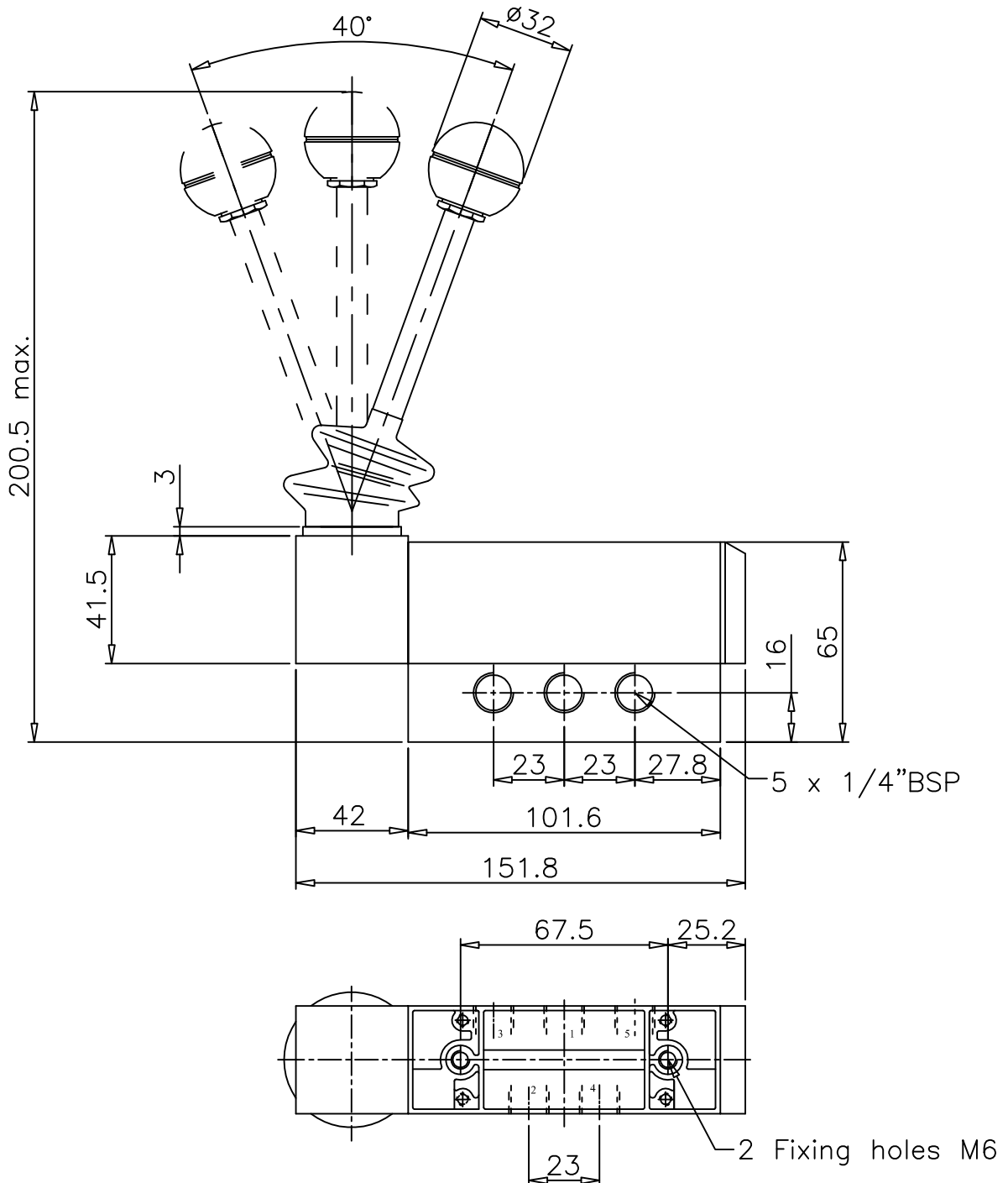
## ZM/1702/87

Type : 5/3  
 Port Size : G1/4  
 Operating Pressure : 2 - 10 bar  
 Operating Temperature : 0°C to +80°C



### MATERIAL OF CONSTRUCTION

Body : Aluminium  
 Seals : Nitrile



ALL DIMENSIONS ARE IN mm

NUCON INDUSTRIES PRIVATE LIMITED  
 88 , C.I.E , BALANAGAR ,  
 HYDERABAD - 500 037

DRAWN	T.Prabhakar	19.11.2007
CHECKED		
APPROVED		