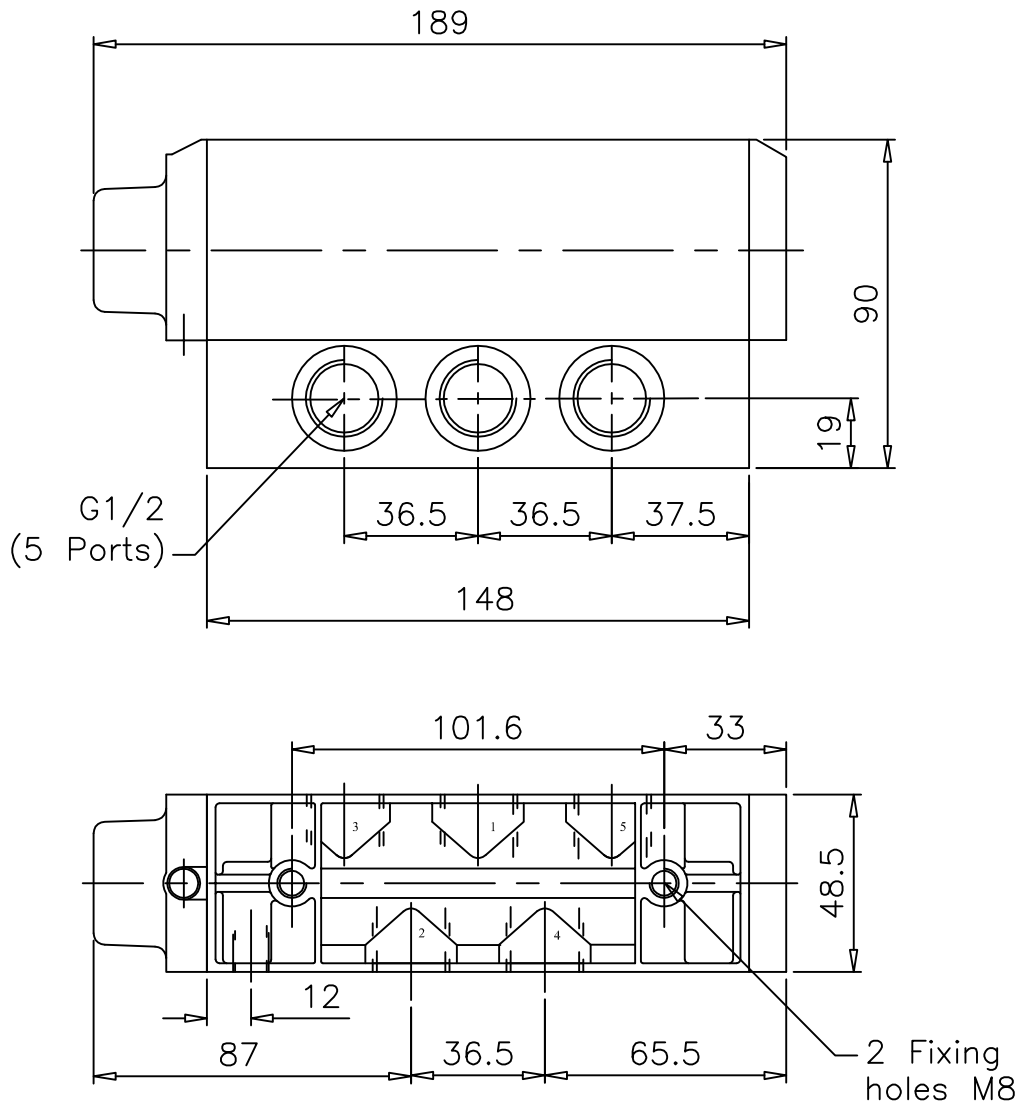
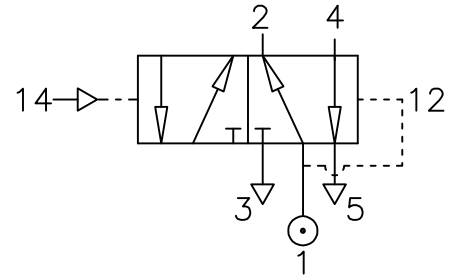


Pressure Actuated, Air Return

ZM/1704/2

Type : 5/2
 Port Size : G1/2
 Operating Pressure : 2 - 10 bar
 Operating Temperature : 0°C to +80°C



ALL DIMENSIONS ARE IN mm

NUCON INDUSTRIES PRIVATE LIMITED
 88 , C.I.E , BALANAGAR ,
 HYDERABAD - 500 037

DRAWN	T.Prabhakar	05.09.2008
CHECKED		
APPROVED		