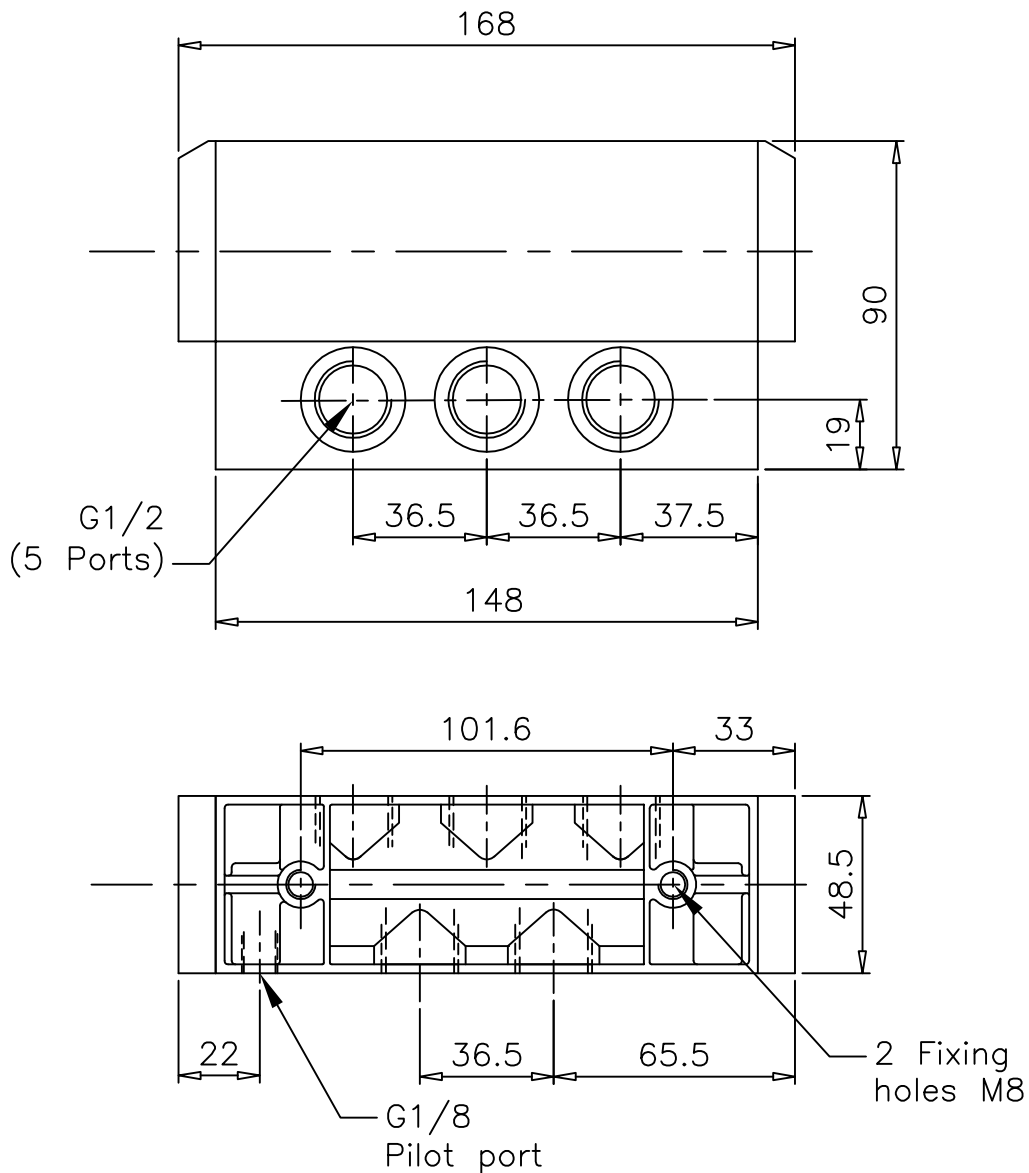
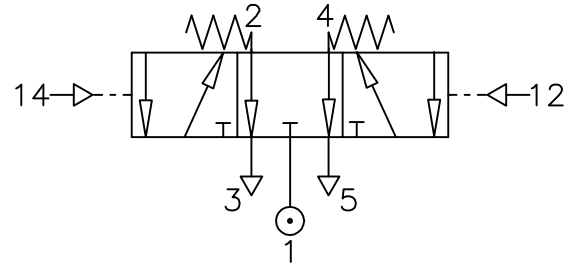


# Spring Centralized, Pressure Actuated Supply sealed mid-position

**ZM/1714/63**

Type : 5/3  
 Port Size : G1/2  
 Operating Pressure : 2-10 bar  
 Operating Temperature : +5°C to +80°C



ALL DIMENSIONS ARE IN mm