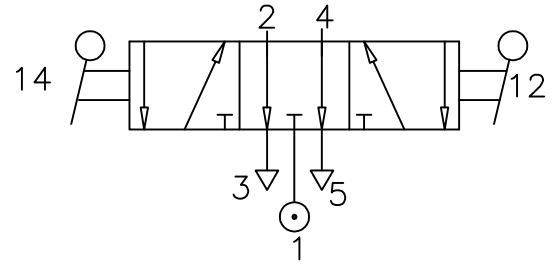


Three Position Lever Operated Supply sealed mid - position

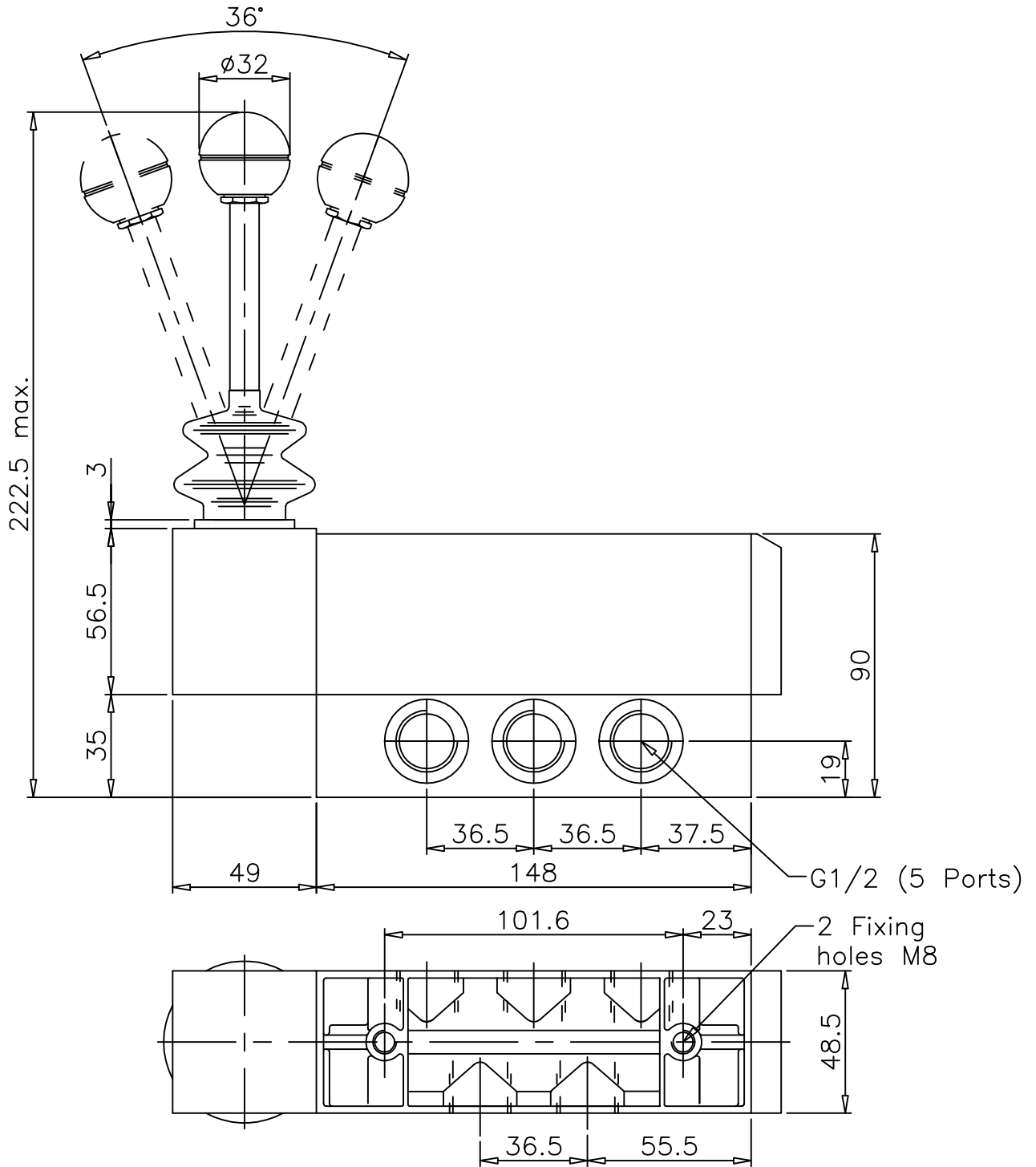
ZM/1714/87

Type : 5/3
 Port Size : G1/2
 Operating Pressure : 2 - 10 bar
 Operating Temperature : 0°C to +80°C



MATERIAL OF CONSTRUCTION

Body : Aluminium
 Seals : Nitrile



ALL DIMENSIONS ARE IN mm

NUCON INDUSTRIES PRIVATE LIMITED
 88 , C.I.E , BALANAGAR ,
 HYDERABAD - 500 037

| | | |
|----------|-------------|------------|
| DRAWN | T.Prabhakar | 19.11.2007 |
| CHECKED | | |
| APPROVED | | |