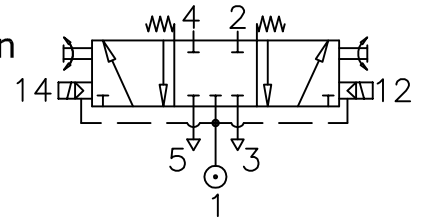


# Spring Centralised Solenoid Pilot Actuated

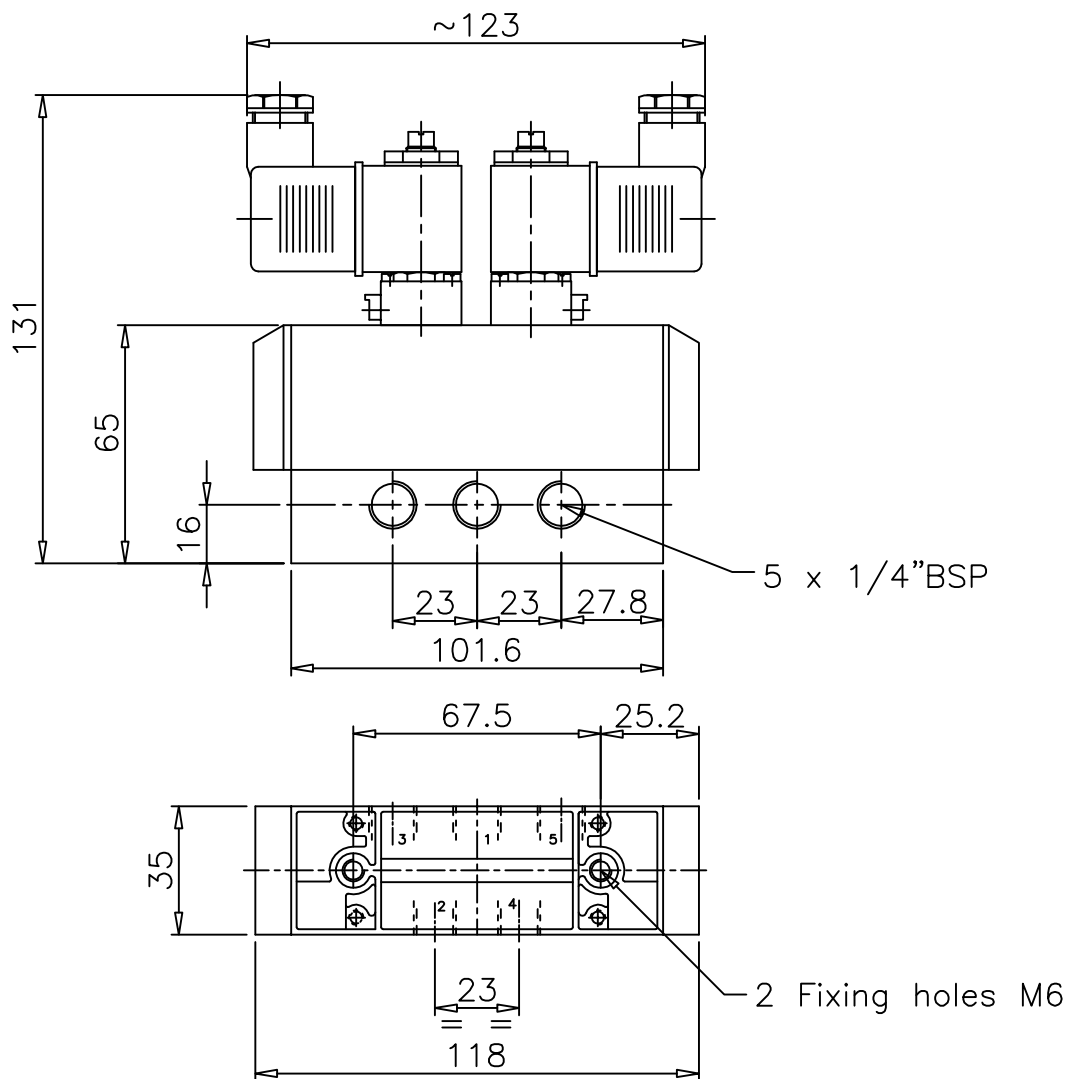
**ZM/1762/6123**

Type : 5/3 Fully sealed mid-position  
 Port Size : 1/4" BSP  
 Operating Pressure : 2.7-10 bar  
 Operating Temperature : +5°C to +50°C



## MATERIAL OF CONSTRUCTION

Body : Aluminium  
 Seals : Nitrile



ALL DIMENSIONS ARE IN mm

NUCON INDUSTRIES PRIVATE LIMITED  
 88 , C.I.E , BALANAGAR ,  
 HYDERABAD - 500 037

DRAWN	T.Prabhakar	19.11.2007
CHECKED		
APPROVED		