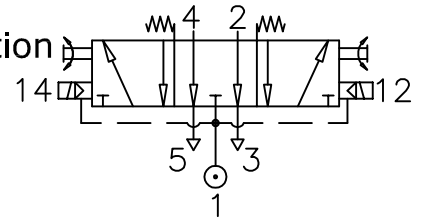


Spring Centralised Solenoid Pilot Actuated

ZM/1772/6123

Type : 5/3 Supply sealed mid-position
 Port Size : 1/4" BSP
 Operating Pressure : 2.7-10 bar
 Operating Temperature : +5°C to +50°C

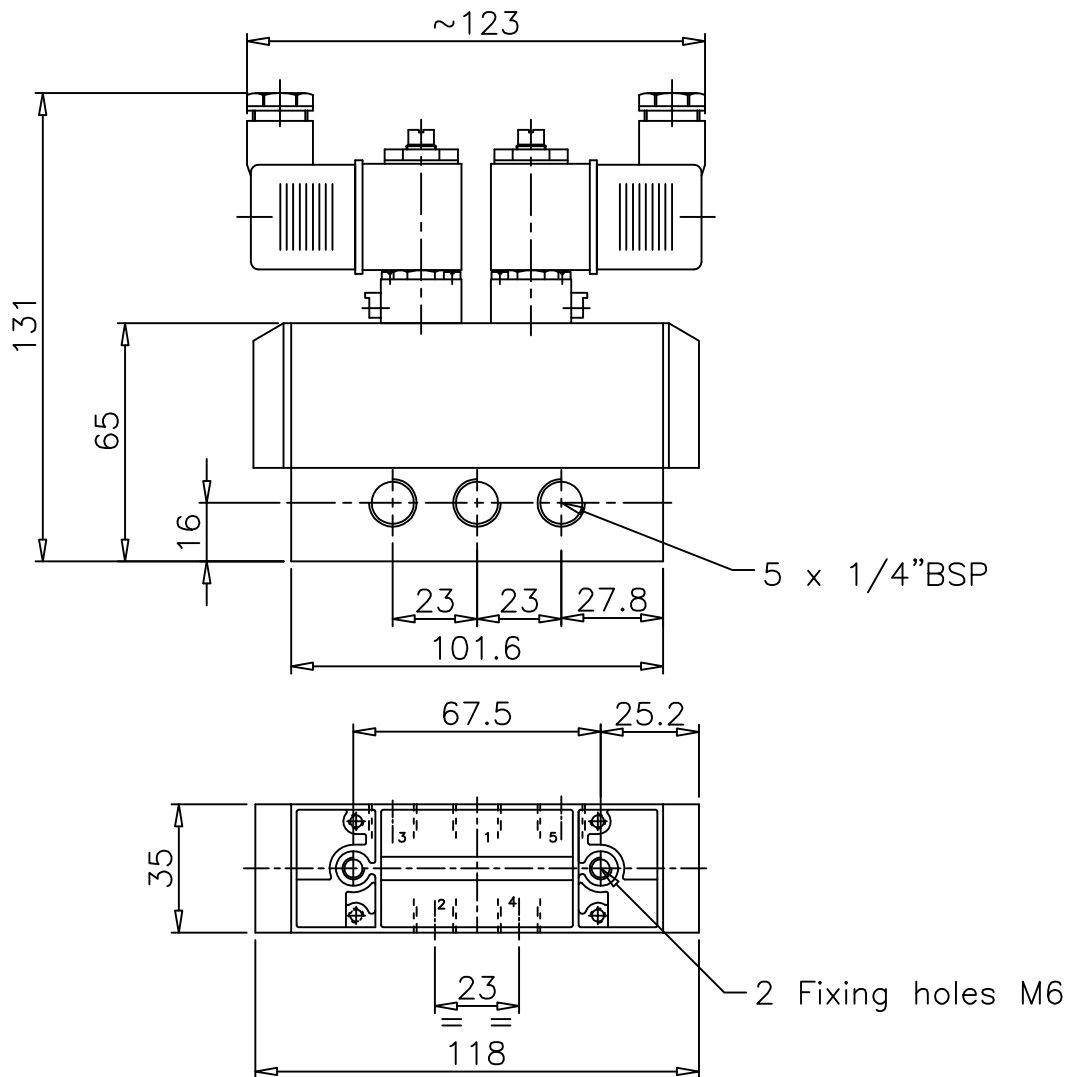


MATERIAL OF CONSTRUCTION

Body : Aluminium
 Seals : Nitrile

ELECTRICAL

Coil Voltage : 220V AC, (Code:137)
 : 110V AC, (Code:131)
 : 24V DC, (Code:010)
 Insulation : Class 'H'
 Protection Class : IP 65
 Terminal Box : 3 Pin plug to IP 65
 Response Time : On 10 ms , Off 10 ms



ALL DIMENSIONS ARE IN mm

NUCON INDUSTRIES PRIVATE LIMITED
 88 , C.I.E , BALANAGAR ,
 HYDERABAD - 500 037

DRAWN	T.Prabhakar	19.11.2007
CHECKED		
APPROVED		