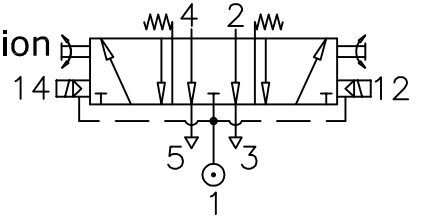


# Spring Centralised Solenoid Pilot Actuated

**ZM/1764/6123**

Type : 5/3 Supply sealed mid-position  
 Port Size : 1/2" BSP  
 Operating Pressure : 2.7-10 bar  
 Operating Temperature : +5°C to +50°C



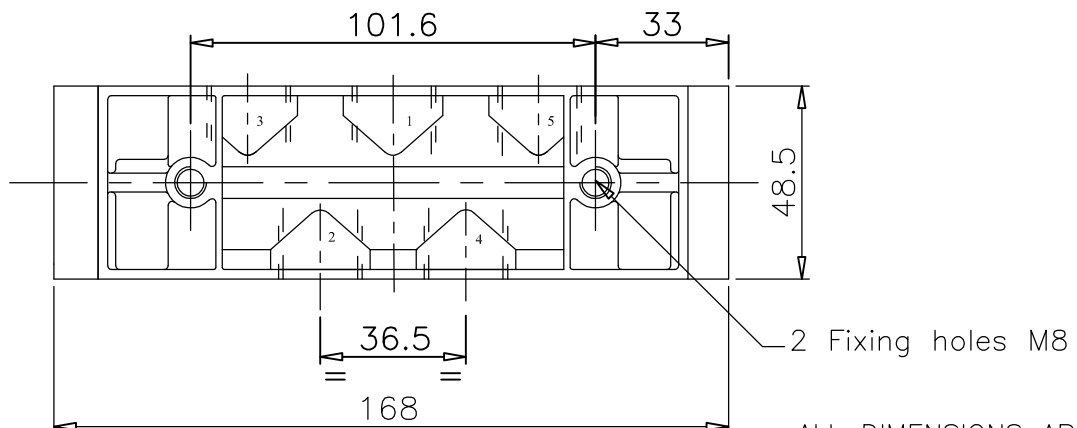
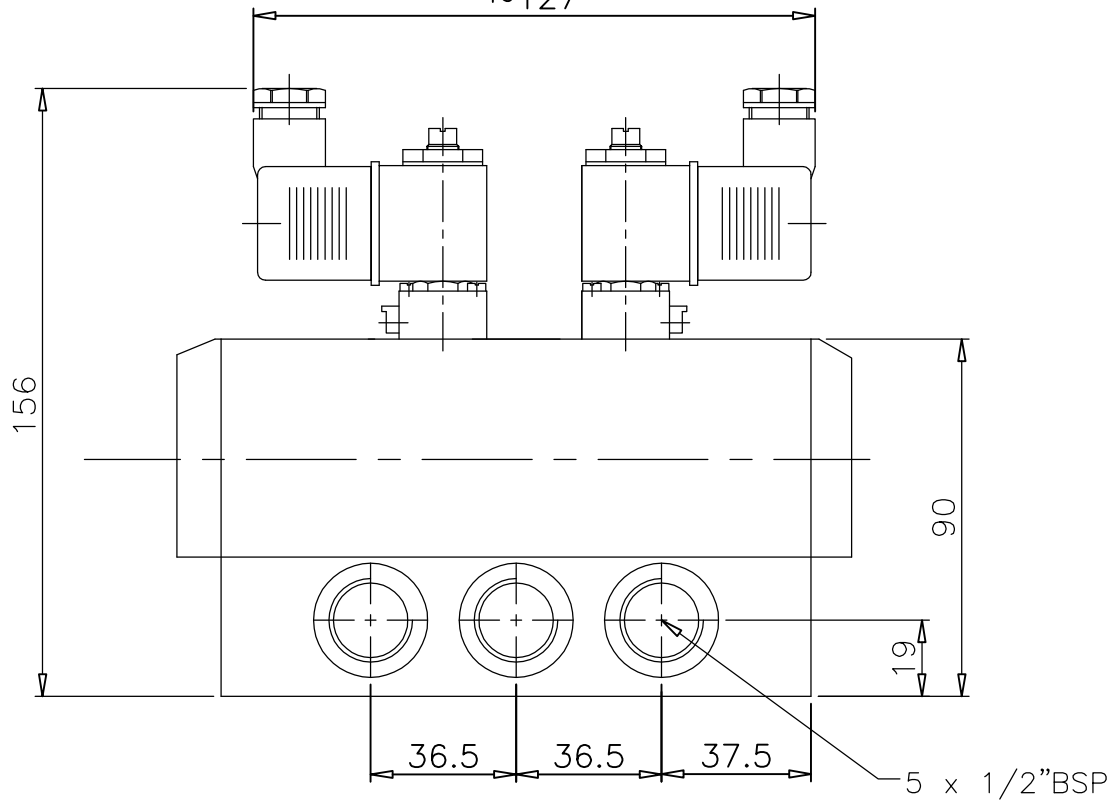
## MATERIAL OF CONSTRUCTION

Body : Aluminium  
 Seals : Nitrile

## ELECTRICAL

Coil Voltage : 220V AC, (Code:137)  
 : 110V AC, (Code:131)  
 : 24V DC, (Code:010)

Insulation : Class `H`  
 Protection Class : IP 65  
 Terminal Box : 3 Pin plug to IP 65  
 Response Time : On 10 ms , Off 10 ms<sub>~127</sub>



ALL DIMENSIONS ARE IN mm

NUCON INDUSTRIES PRIVATE LIMITED  
 88 , C.I.E , BALANAGAR ,  
 HYDERABAD - 500 037

DRAWN	T.Prabhakar	19.11.2007
CHECKED		
APPROVED		