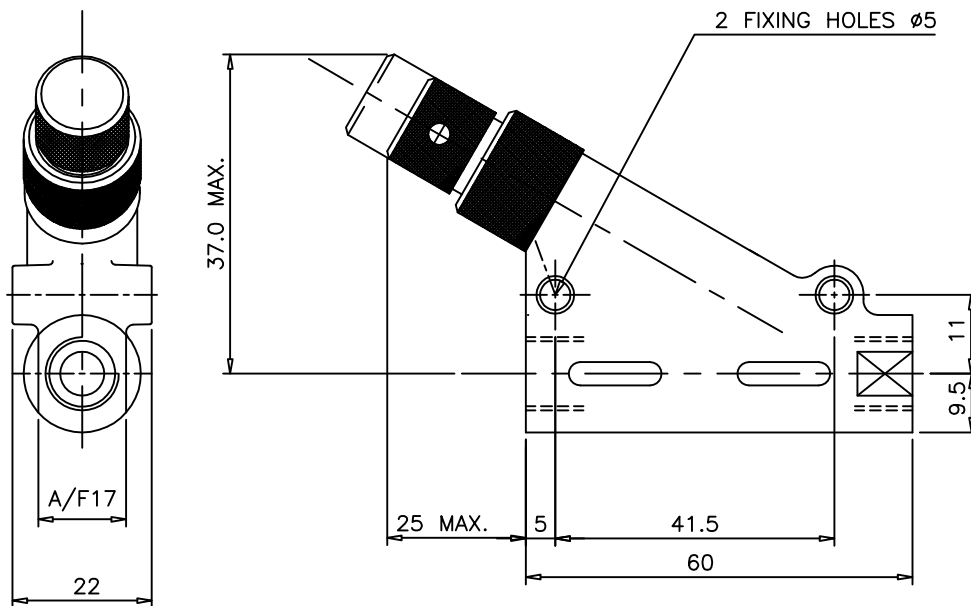
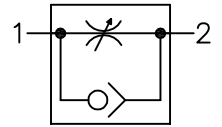


**UNI-DIRECTIONAL FLOW REGULATOR**

Medium	: Compressed air, filtered, lubricated & non lubricated
Mounting	: Line mounted, concentrically
Port Sizes	: 1/4" BSP
Operating Pressure	: 0.3 to 16.7 bar
Operating Temperature	: 0°C +80°C



ALL DIMENSIONS ARE IN mm

**NUCON INDUSTRIES PRIVATE LIMITED**88 , C.I.E , BALANAGAR ,  
HYDERABAD - 500 037

DRAWN	T.Prabhakar	06.09.2008
CHECKED		
APPROVED		