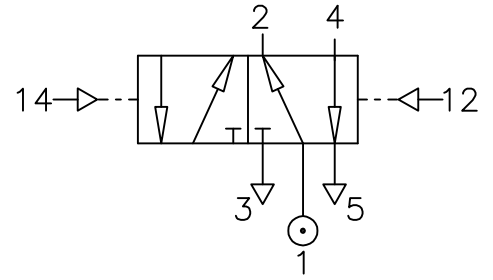


Pressure Set - Reset with Manually Override on main Piston

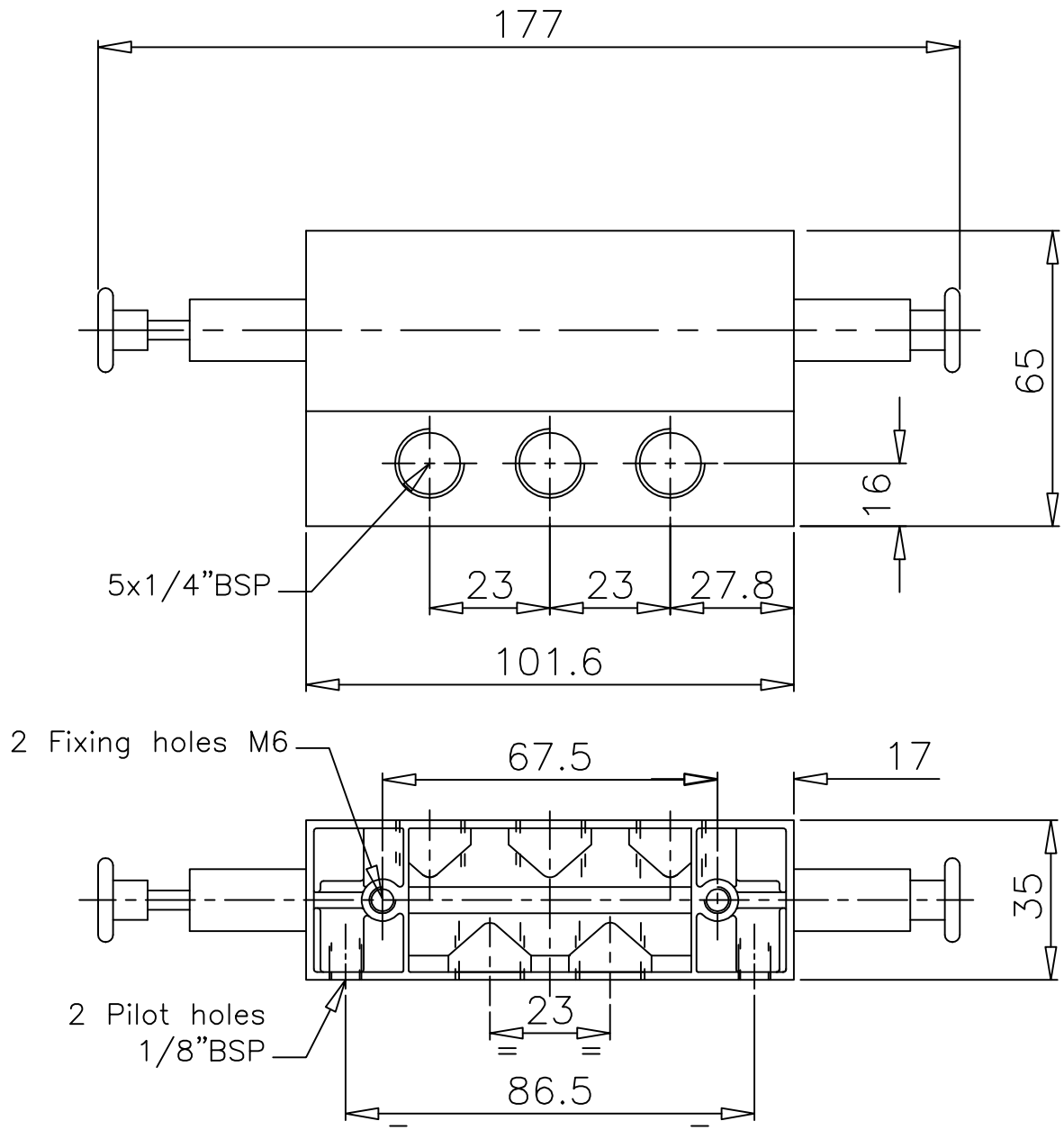
ZNCN/1702/3/MX

Type : 5/2
 Port Size : G1/4
 Operating Pressure : 2-10 bar
 Operating Temperature : +5°C to +80°C



MATERIAL OF CONSTRUCTION

Body : Aluminium
 Seals : Nitrile



ALL DIMENSIONS ARE IN mm