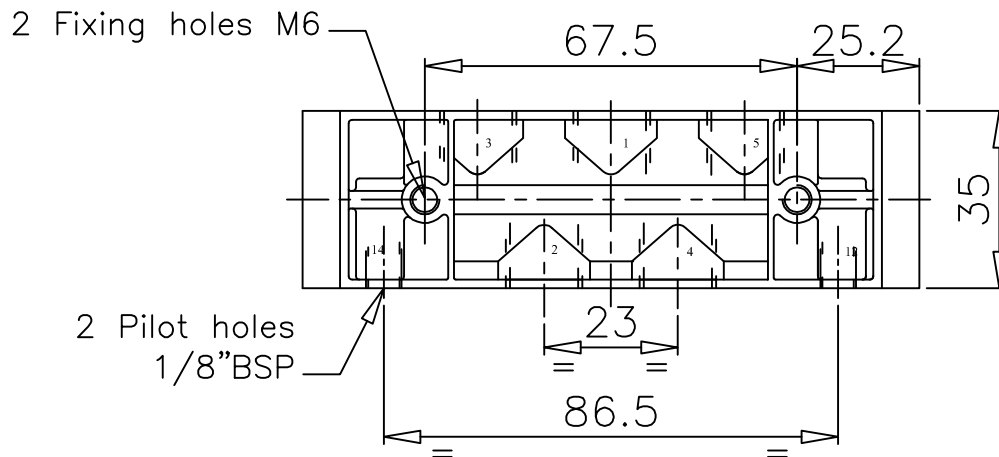
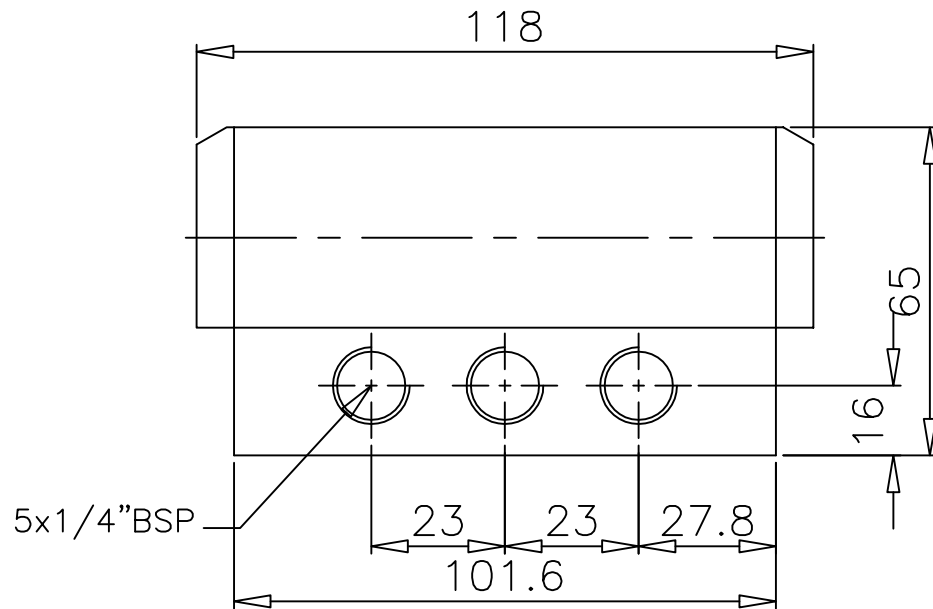
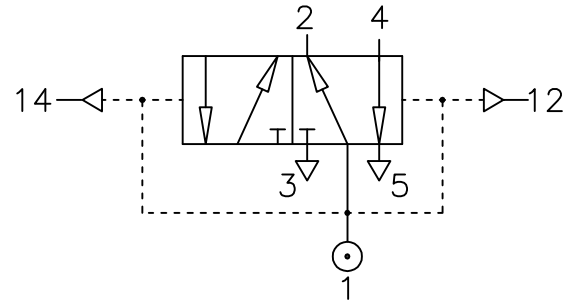


Pressure Release Set - Reset

ZNCN/1702/4

Type : 5/2
 Port Size : G1/4
 Operating Pressure : 2-10 bar
 Operating Temperature : +5°C to +80°C



ALL DIMENSIONS ARE IN mm