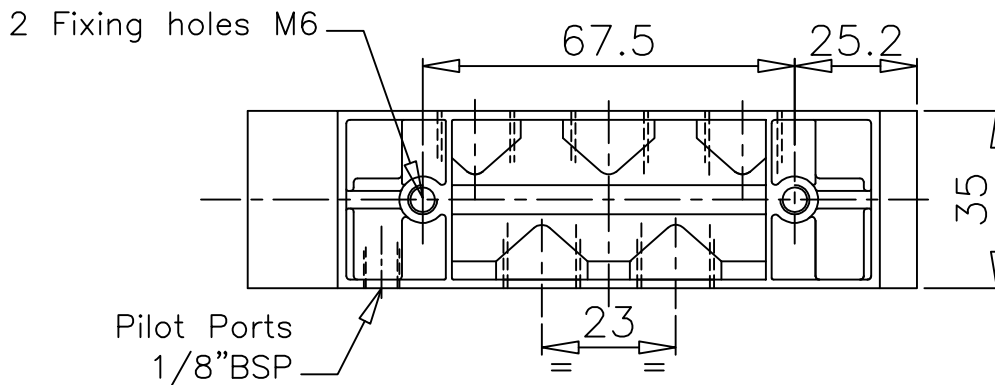
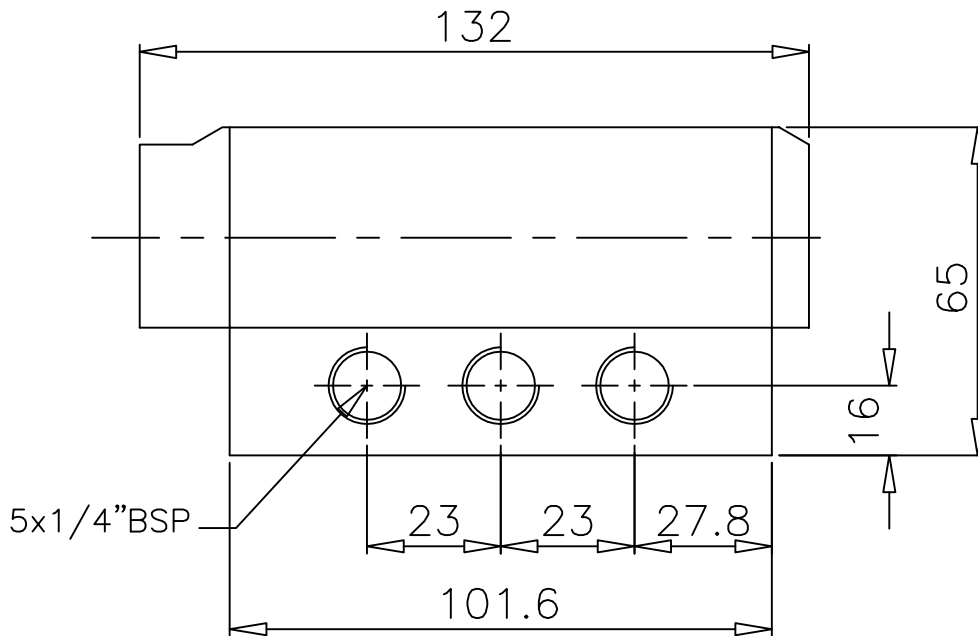
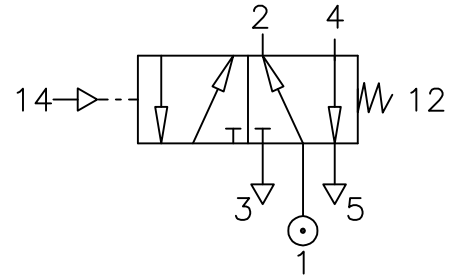


# Pressure Actuated, Air Return

**ZNCN/1702/40**

Type : 5/2  
 Port Size : G1/4  
 Operating Pressure : 2 - 10 bar  
 Operating Temperature : 0°C to +80°C



ALL DIMENSIONS ARE IN mm

DRAWN	T.Prabhakar	05.09.2008
CHECKED		
APPROVED		