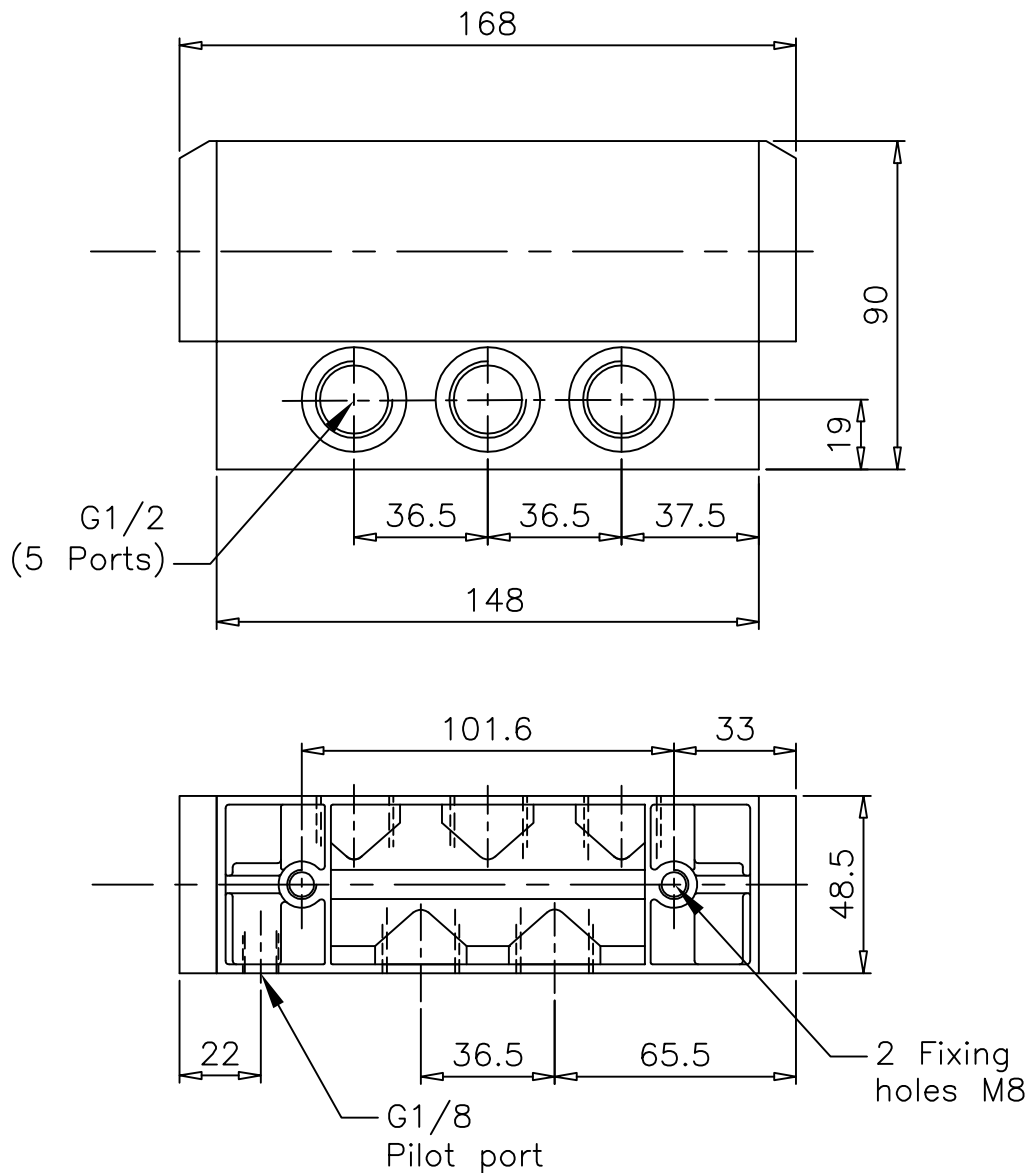
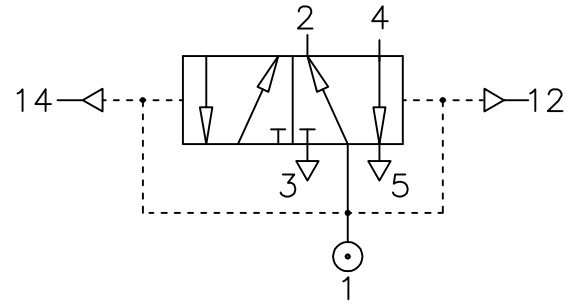


# Pressure Release Set - Reset

**ZNCN/1704/4**

Type : 5/2  
 Port Size : G1/2  
 Operating Pressure : 2-10 bar  
 Operating Temperature : +5°C to +80°C



ALL DIMENSIONS ARE IN mm