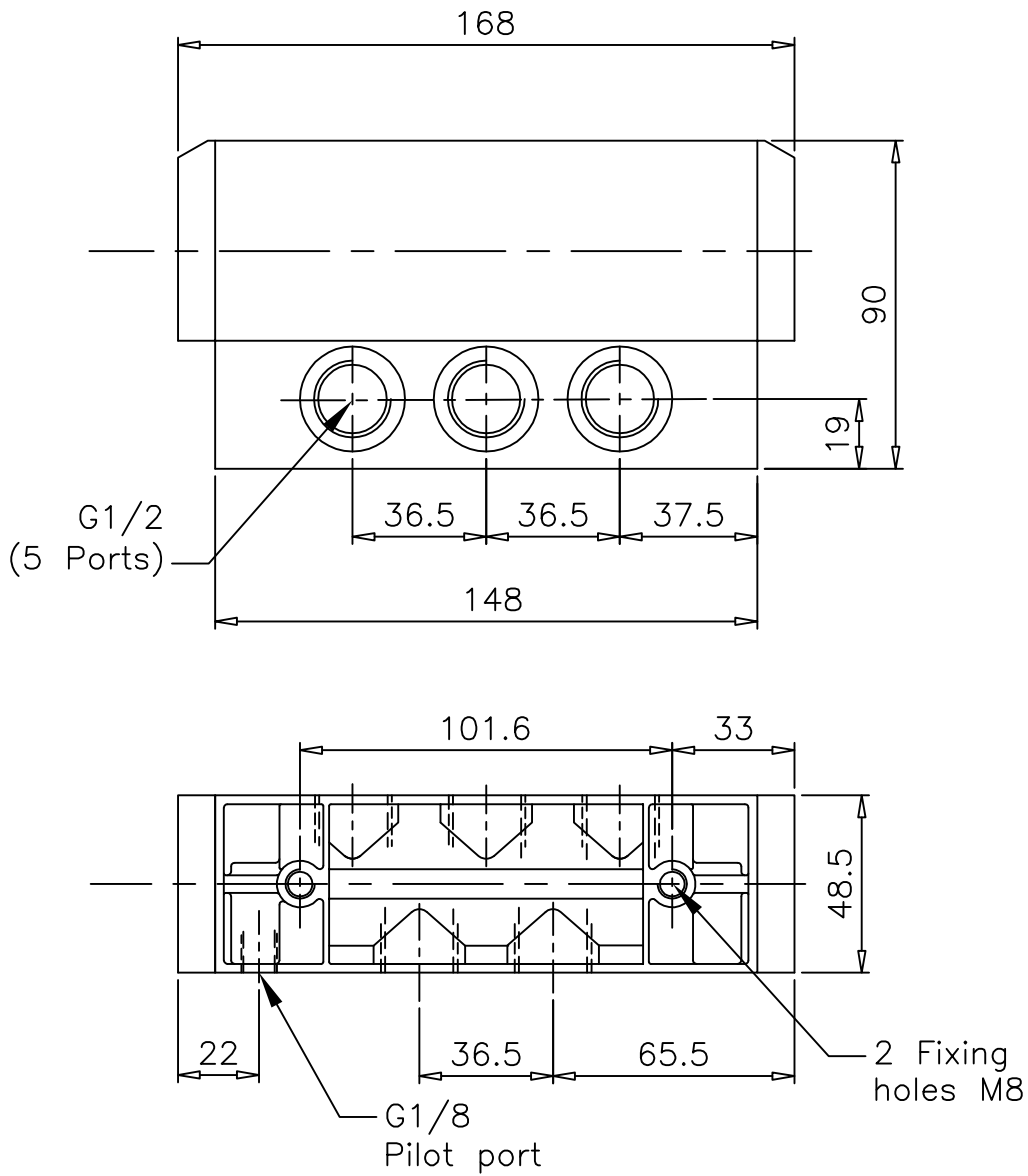
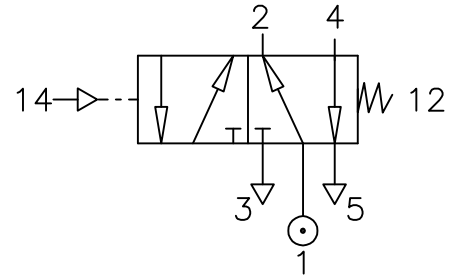


# Pressure Actuated, Spring Return

**ZNCN/1704/40**

Type : 5/2  
 Port Size : G1/2  
 Operating Pressure : 2 - 10 bar  
 Operating Temperature : 0°C to +80°C



ALL DIMENSIONS ARE IN mm

NUCON INDUSTRIES PRIVATE LIMITED  
 88 , C.I.E , BALANAGAR ,  
 HYDERABAD - 500 037

DRAWN	T.Prabhakar	05.09.2008
CHECKED		
APPROVED		