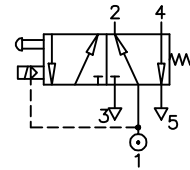


5/2 POPPET VALVE

Solenoid pilot actuated,
spring return

ZNCN/5062/122/*

Port Size : G1/4
Operating Pressure : 2-10 bar
Operating Temperature : +5°C to +80°C

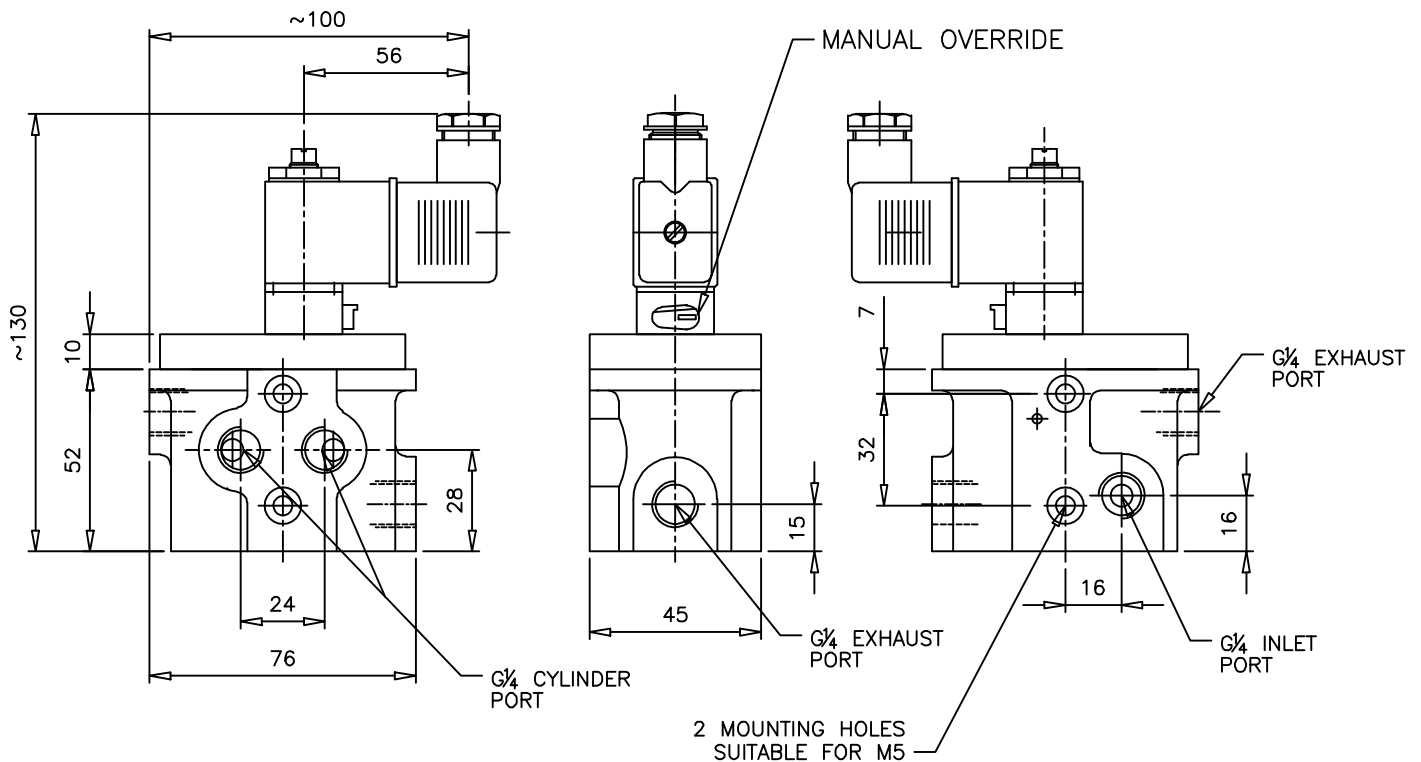


MATERIAL OF CONSTRUCTION

Body : Aluminium casting
Seals : Nitrile
Spring : Stainless Steel

ELECTRICAL

* Coil Voltage : 220-240 VAC ; 50-60Hz
Insulation : Class 'H'
Protection Class : IP 65
Terminal Box : 3 Pin plug to IP 65
Response Time : On 10 ms , Off 10 ms



ALL DIMENSIONS ARE IN mm

NUCON INDUSTRIES PRIVATE LIMITED

88 , C.I.E , BALANAGAR ,
HYDERABAD - 500 037

DRAWN	T.Prabhakar	16.12.2005
CHECKED		
APPROVED		