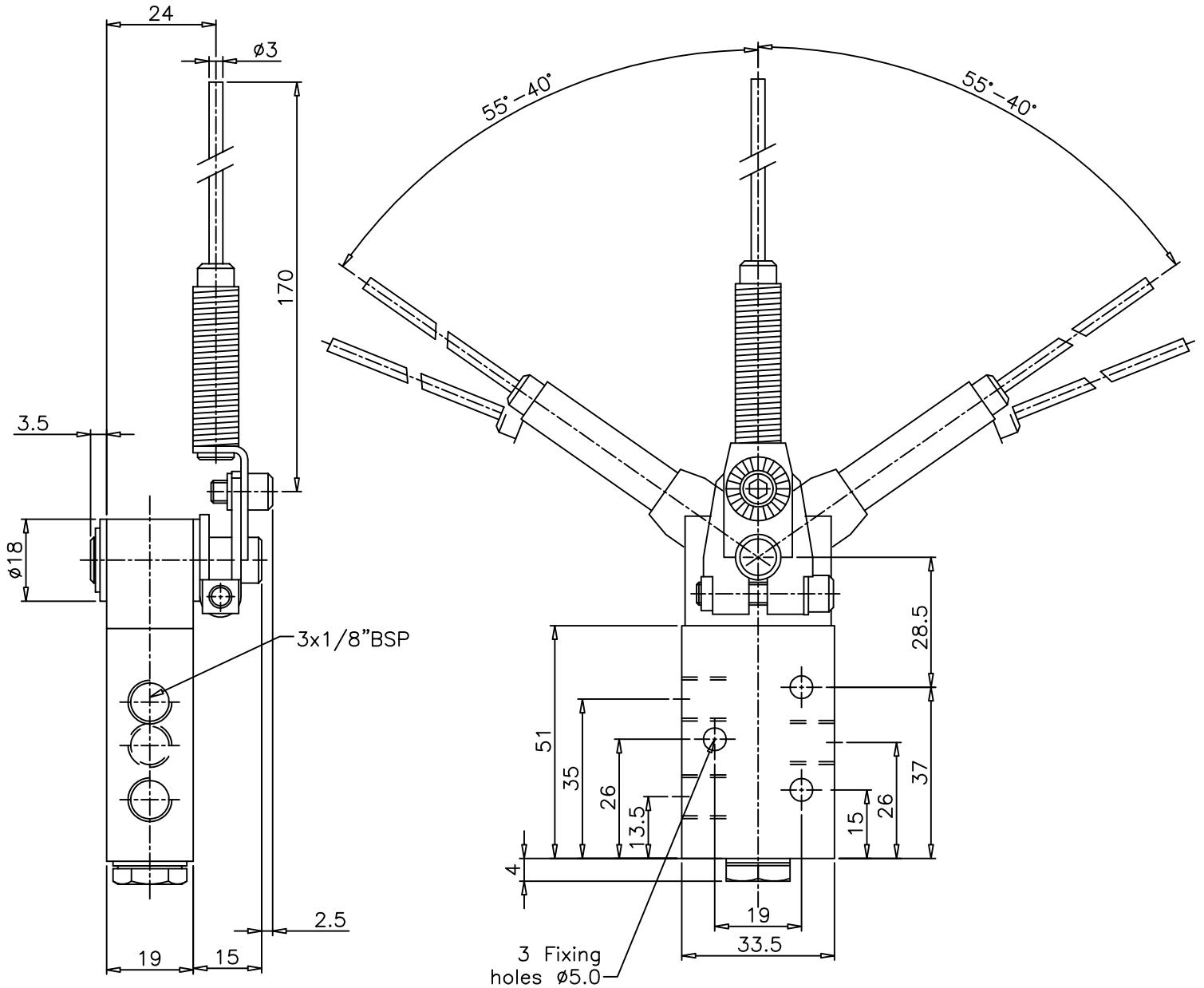
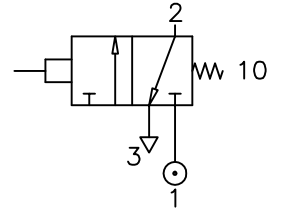


Antenna Spring, Spring Return

ZNCN/666/116

Type : 3/2 Normally closed
 Port Size : 1/8" BSP
 Operating Pressure : 2 - 10 bar
 Operating Temperature : +80°C max.



ALL DIMENSIONS ARE IN mm

NUCON INDUSTRIES PRIVATE LIMITED
 88 , C.I.E , BALANAGAR ,
 HYDERABAD - 500 037

DRAWN	T.Prabhakar	19.11.2007
CHECKED		
APPROVED		