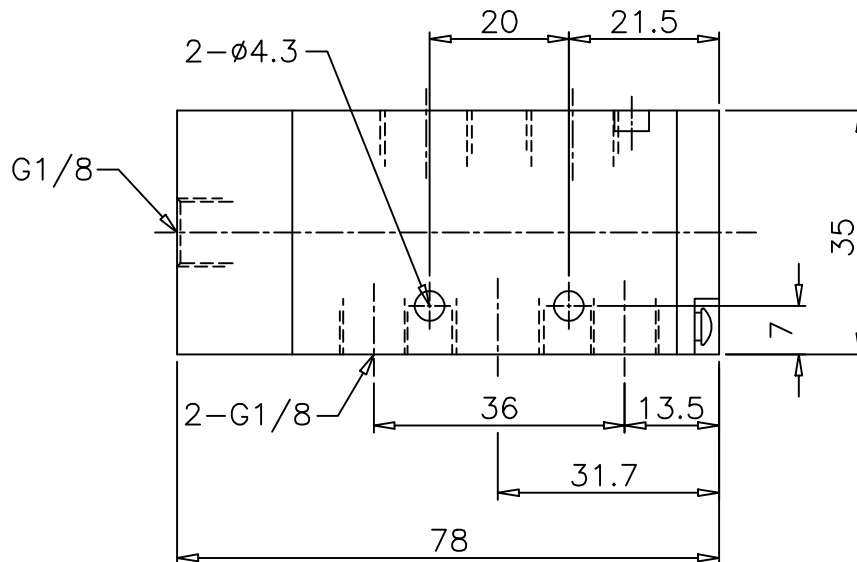
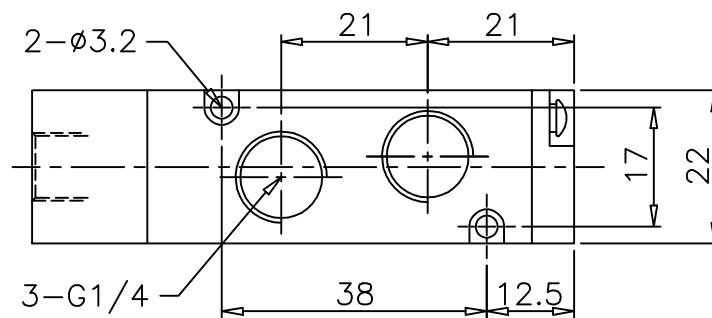
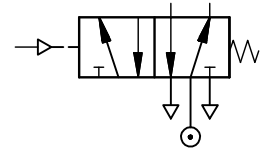


G1/4, 5/2 PILOT OPERATED, SPRING RETURN VALVE

ZNIV520PS

TECHNICAL SPECIFICATIONS

Medium : Compressed air
Operating pressure : 1.5 - 8 bar
Operating temperature : + 50°C
Flow Cv : 0.89



ALL DIMENSIONS ARE IN mm

NUCON INDUSTRIES PRIVATE LIMITED
 88, C.I.E , BALANAGAR ,
 HYDERABAD - 500 037

DRAWN	T.Prabhakar	07.05.2009
CHECKED		
APPROVED		