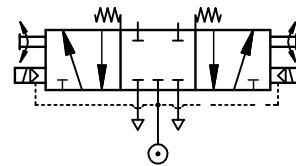


G1/2, 5/3 SOLENOID PILOT OPERATED FULLY SEALED, MID POSITION

ZNIV542X000

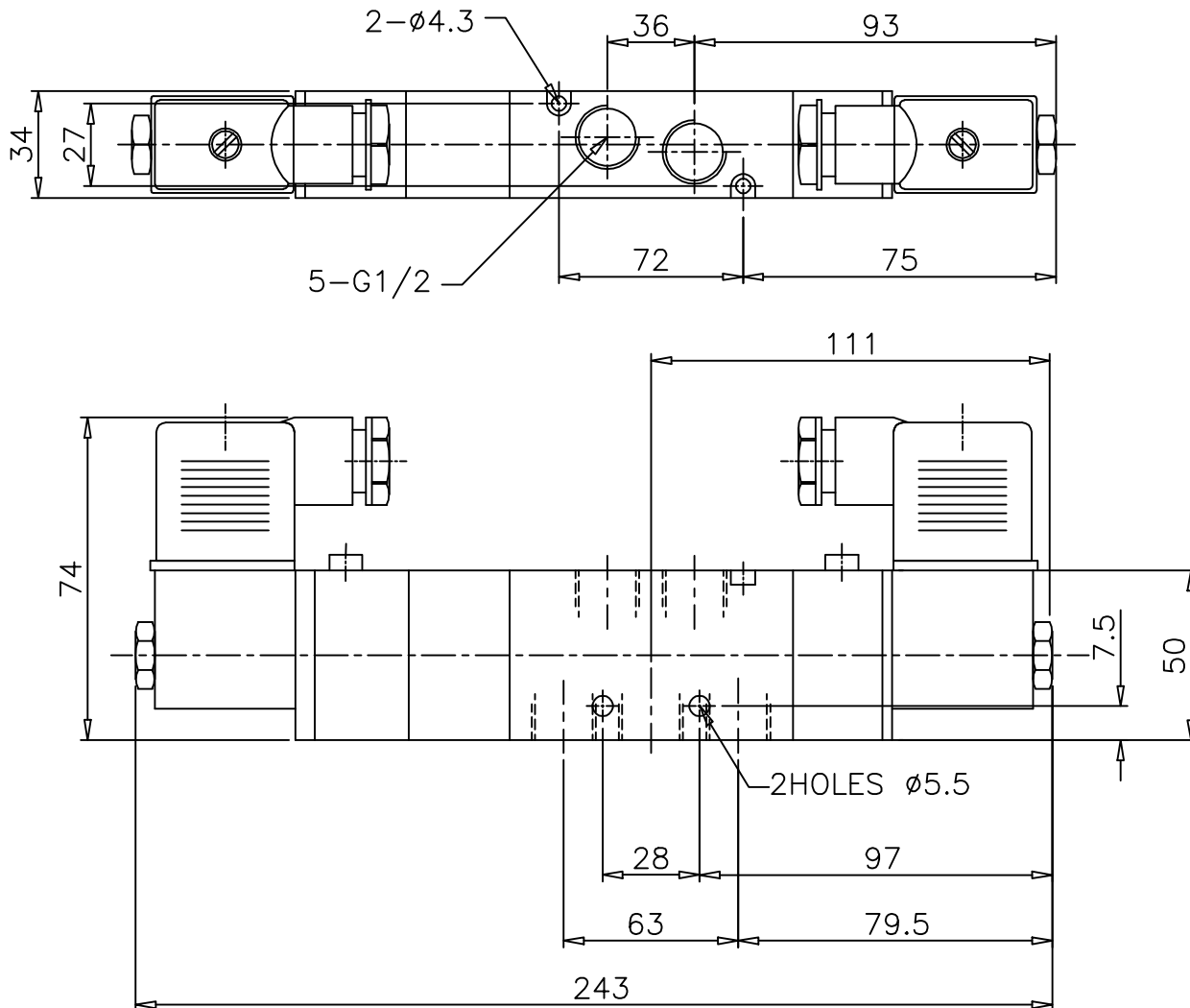
TECHNICAL SPECIFICATIONS

Medium : Compressed air
 Operating pressure : 1.5 - 8 bar
 Operating temperature : + 50°C
 Flow Cv : 2.79



ELECTRICAL

Coil Voltage 000 : 220V AC ; 50-60Hz (Code : 137)
 : 110V AC ; 50-60Hz (Code : 131)
 : 24V DC (Code : 10)
 Insulation : Class 'F'
 Protection Class : IP 65
 Terminal Box : 3 Pin plug to IP 65
 Power consumption : AC 3.5VA
 : DC 2.5W



ALL DIMENSIONS ARE IN mm

NUCON INDUSTRIES PRIVATE LIMITED
 88, C.I.E , BALANAGAR ,
 HYDERABAD - 500 037

DRAWN	T.Prabhakar	07.05.2009
CHECKED		
APPROVED		