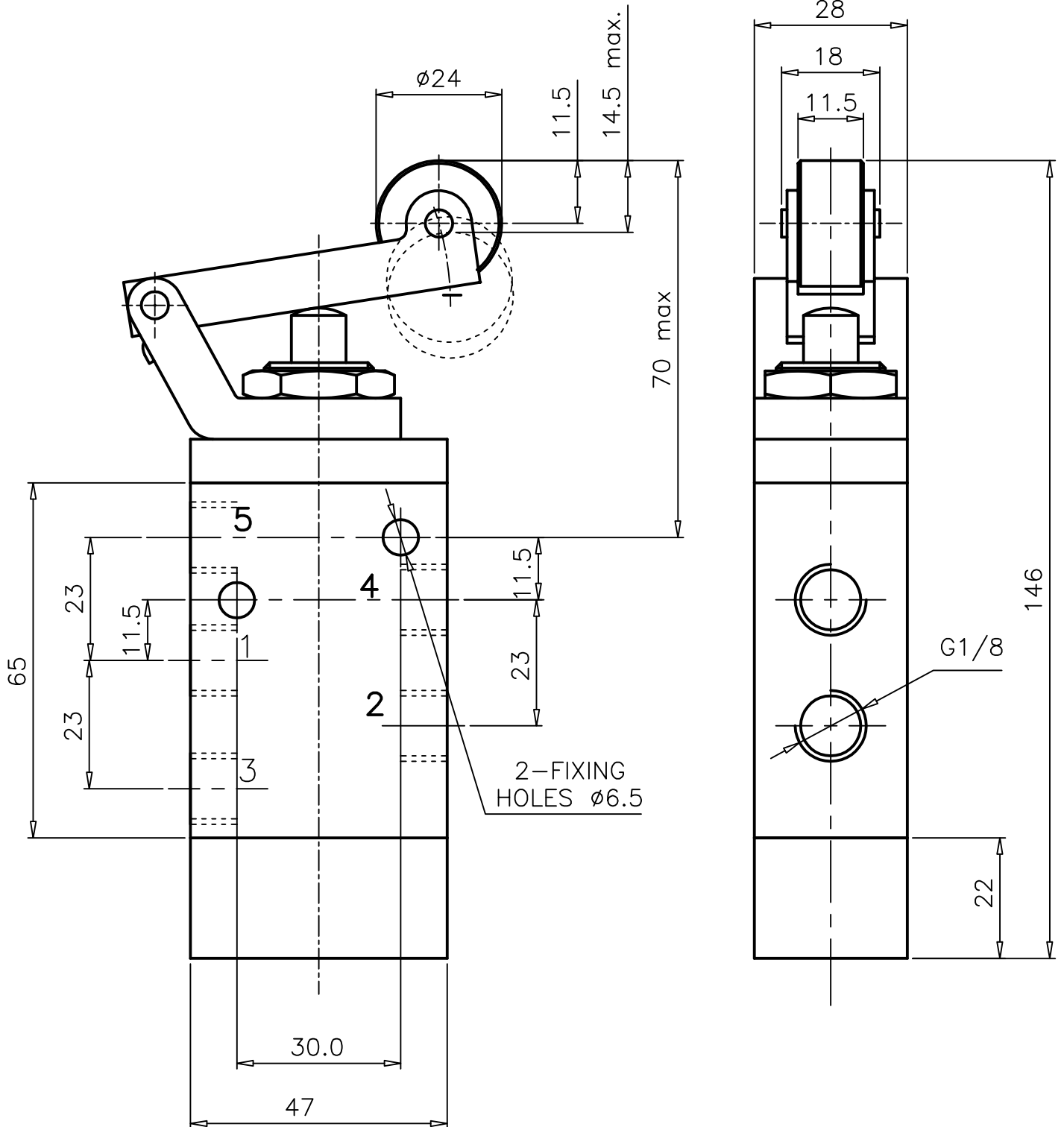
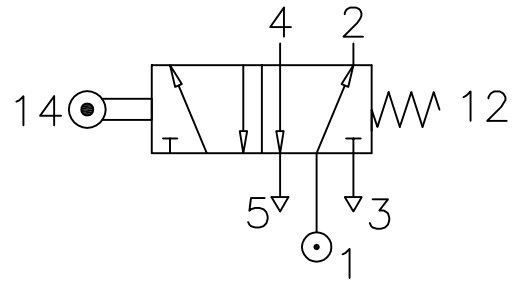


# Roller Lever actuated, Spring Return

## ZX3 0451 02

Type : 5/2 Spool Valve  
 Mechanically actuated  
 Port Size : G 1/8  
 Operating Pressure : 0-10 bar\*  
 Operating Temperature : +5°C to +70°C



\* CONSULT OUR TECHNICAL SERVICE FOR LOW PRESSURE AND VACUUM

ALL DIMENSIONS ARE IN mm

NUCON INDUSTRIES PRIVATE LIMITED  
 88 , C.I.E , BALANAGAR ,  
 HYDERABAD - 500 037

DRAWN	SREENIVAS.M	11.05.2005
CHECKED		
APPROVED		