

TREADLE SET-RESET

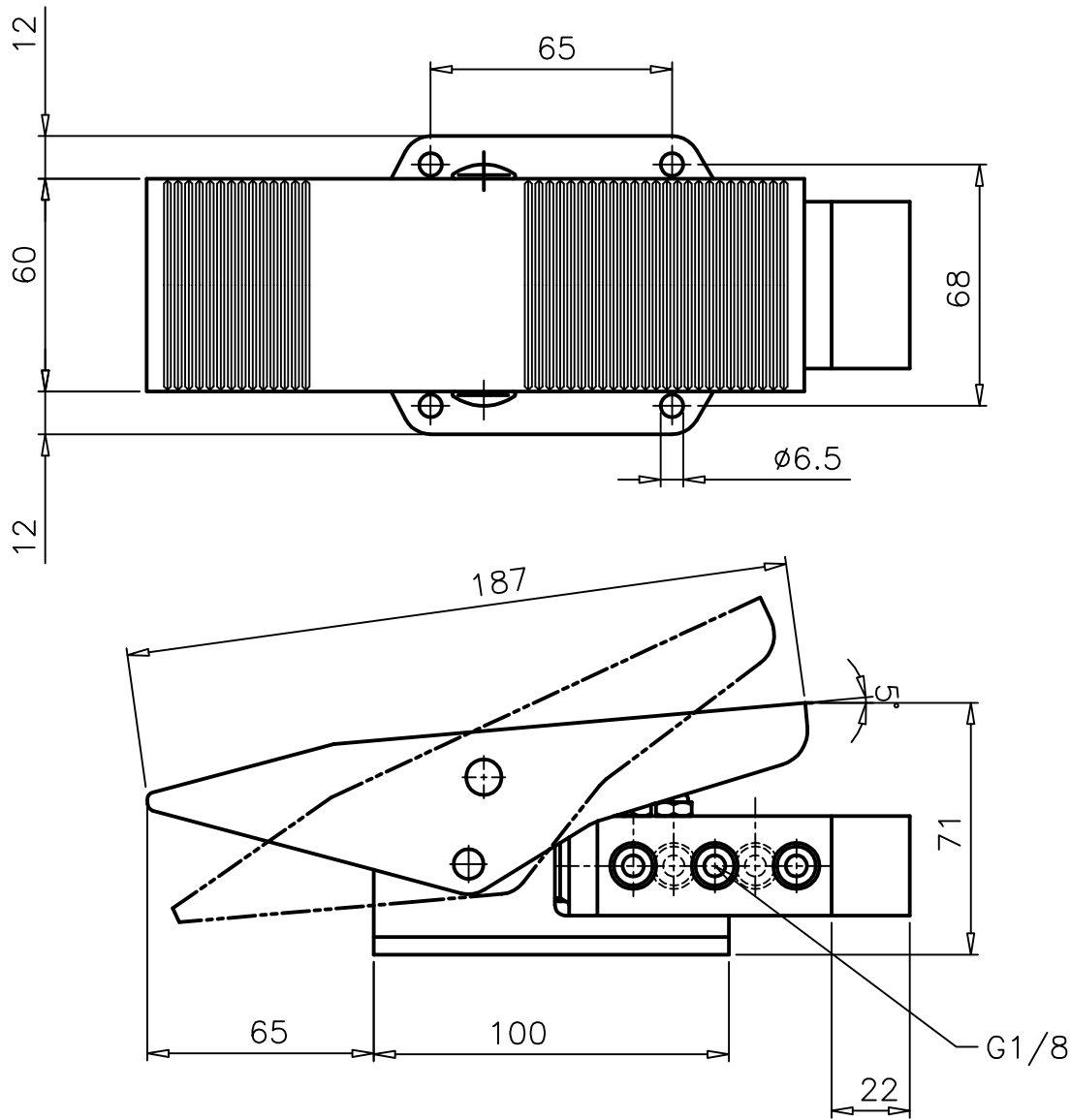
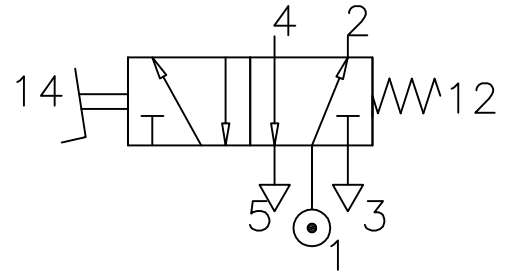
ZX3 0484 02

Type : 5/2 Spool Valve
 Manually operated

Port Size : G 1/8

Operating Pressure : 2-10 bar

Operating Temperature : +5°C to +70°C



ALL DIMENSIONS ARE IN mm

NUCON ZANDER PRIVATE LIMITED
 88 , C.I.E , BALANAGAR ,
 HYDERABAD - 500 037

DRAWN	SREENIVAS.M	11.05.2005
CHECKED		
APPROVED		