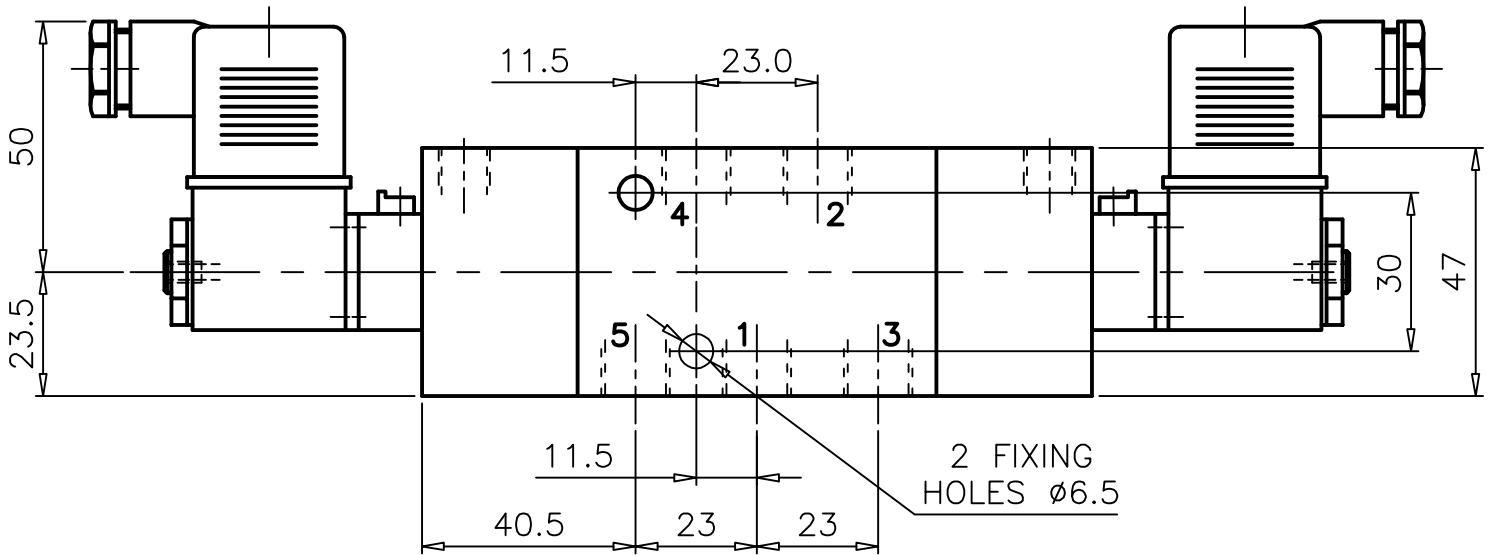
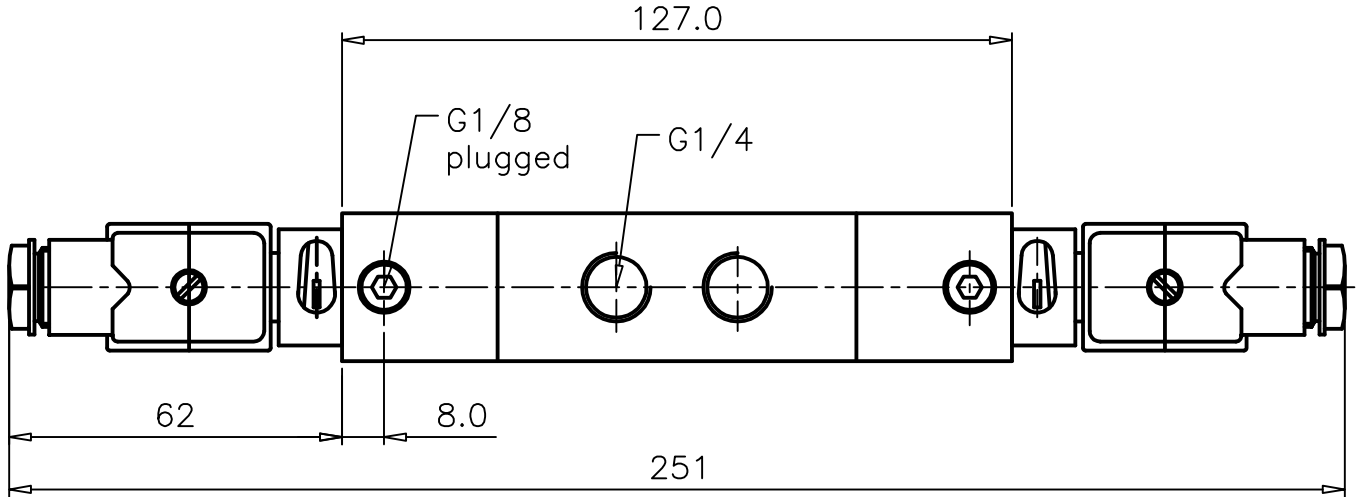
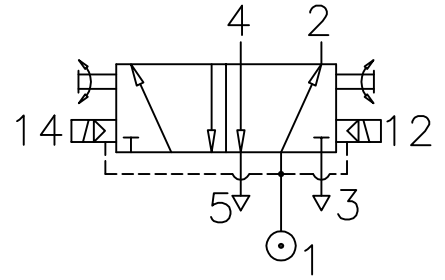


# SOLENOID PILOT SET-RESET

End Mounted Miniature Solenoid

# ZX4 2858 0M 000

Type : 5/2  
 Integral pilot supply  
 Port Size : G 1/4  
 Operating Pressure : 0-10 bar\*  
 Operating Temperature : +5°C to +70°C



\* CONSULT OUR TECHNICAL SERVICE FOR LOW PRESSURE AND VACUUM

ALL DIMENSIONS ARE IN mm

NUCON INDUSTRIES PRIVATE LIMITED  
 88 , C.I.E , BALANAGAR ,  
 HYDERABAD - 500 037

DRAWN	SREENIVAS.M	09.05.2005
CHECKED		
APPROVED		